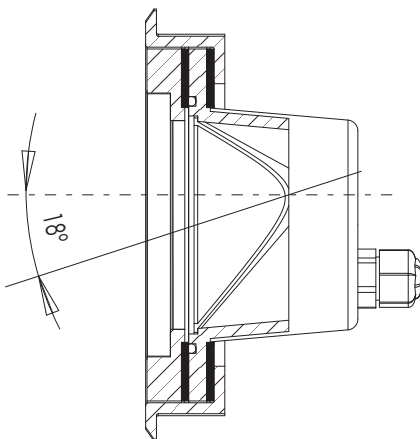


LD190A

LED Wall Light for path and step lighting externally and bulkwark mounted deck lighting on yachts. Asymmetric reflector and ribbed glass creates a wide wash of light directed downward with low glare.



Use with 5W (350mA) or driver (TXDP12) to run 2 x LD190A
See catalogue (edition 9) page 86 - 89 for wiring diagrams and drivers.

**Options for LD190A**

LED Options	Suffix
-------------	--------

5W 350mA LED Dimmable by relevant 1-10V driver	
---	--

LED Colour	Suffix
------------	--------

Warm white (3000K)	LWW
White (4500K)	LW

Bezel finish options

Stainless steel 316 (Standard)
Polished stainless steel
Powder coated white / black

Fixing Details / sizes for LD190A	Suffix
-----------------------------------	--------

Options: -

With Flush Mounted Bezel	/375
--------------------------	------

