

LD242

IP68 Waterproof hard anodised aluminium for use in carbon or aluminium spars - with adequate light using a 6° lens to light the deck from 9 meters, or cockpit lighting from the boom or bimini with a 15° lens. This fitting also has plenty of uses in architectural applications, lighting niches, columns or archways with 6° or 15° lenses.



Use with 1W (350mA) or 2W (700mA) Drivers. See catalogue (edition 9) page 86 - 89 for wiring diagrams and drivers.

LD242A

A 316 stainless steel version without fixing holes, passivated and polished for use in swimming pool steps with /476 sleeve.



Options for LD242

Lens + LED Options	Suffix
2W 700mA LED	LD242 / LD242A
6 degree spot lens	/06
15 degree flood lens	/15
8 x 25 degree fresnel 'spreader' lens	/85

LED Colour	Suffix
Warm white (3000K)	/LWW
White (5000K)	/LW
Blue	/LB
Green	/LG
Red	/LR
Amber	/LA

Body finish options

LD242

Hard anodised (Gun metal grey) for LD242
Powder coated white / black

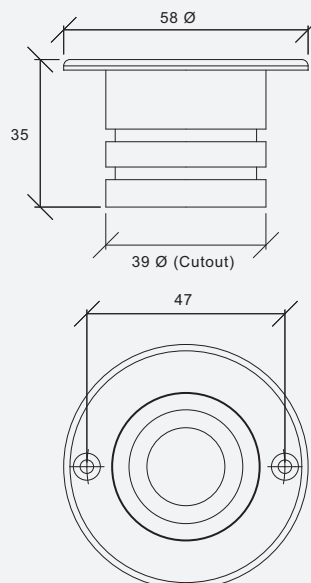
LD242A

Polished stainless steel

Fixing Details / sizes for LD242 / LD242A

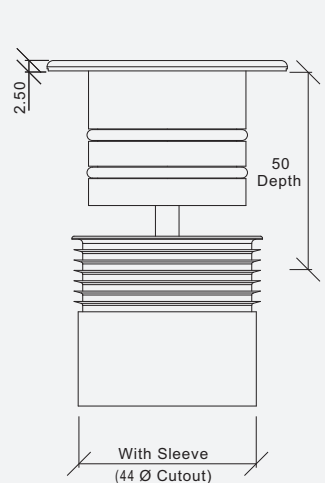
LD242

Fix with 2 countersunk screws.



LD242A

'O' Ring and Sleeve /476



Sleeve can be bonded into wood, concrete or aluminium plate