

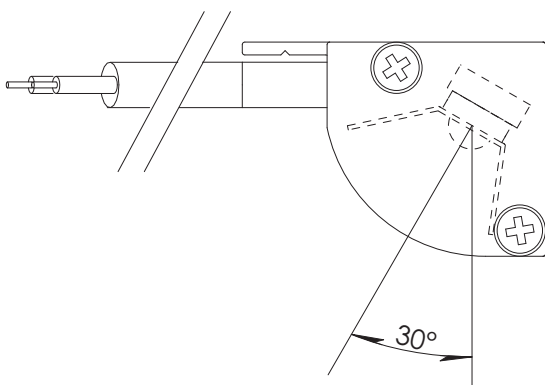
**LD32 / LD232 - Shelf edge LED Linear system**

Designed for surface mounting or recessed under shelves with LED's at 30° tilt, it is perfect for display lighting. The system is based on a 36x25mm silver anodised aluminium profile with a clear cover as standard. LEDs are at 50mm centres and run on a constant current supply in custom made lengths.

The reflector is designed to give a wide beam wash of light with a cut off on the front edge of the shelf below.



Use with 1W (350mA) or 2W (700mA) Drivers. See catalogue (edition 9) page 86 - 89 for wiring diagrams and drivers.



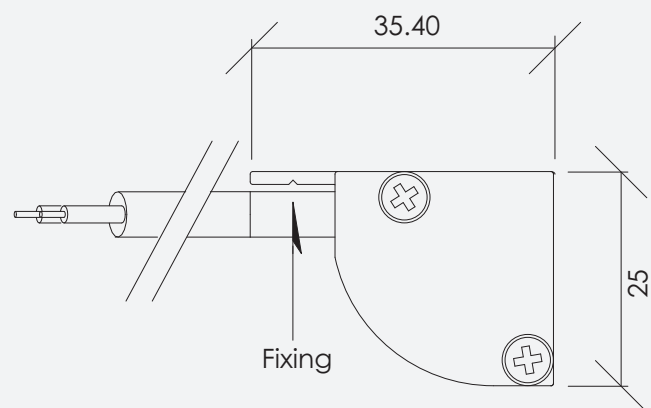
LD32 is available with RGB LED's for colour changing - Contact LGX at the design stage to discuss the effect required and control systems etc.

**Options for LD32 / LD232**

LED Options	Suffix
1W 350mA LED	LD32
2W 700mA LED	LD232

LED Colour	Suffix
Warm white (3000K)	/LWW
White (4500K)	/LW
Colour changing	/RGB

Finish options	Suffix
Silver anodised aluminium	
Powder coated body white / black	
Opal Cover	/OP

**Fixing Details / sizes for LD32 / LD232**

The system can be surface mounted or recessed into the shelf.