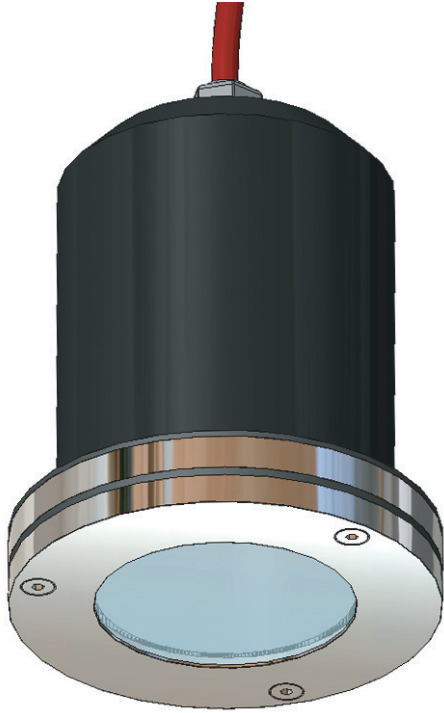
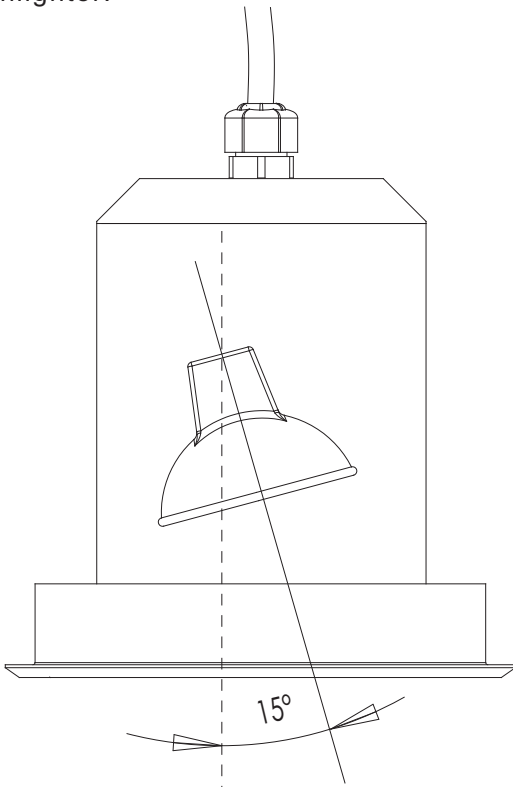


T20211

20W Halogen downlighter for external use in yacht overheads. The lamp is set back in the fitting to minimize the glare from the light source.

**T20211/15**

'Tilted' version for wall washing or column downlighter.



  **IP 66**

Options for T20211 / T20211/15**Lamp Options**

Suffix

MR16 12V 20W IRC
12V 35W IRC

10° Spot, 24° Flood or 38° Wide Flood

Cutout

Ø77

Ø107 When use with flush mounted bezel

Bezel finish options

Stainless steel 316 (Standard)
Polished stainless steel
Powder coated white / black

Fixing Details / sizes for T20211 / T20211/15**Options: -**

Flush Mounted Bezel Ø120. With 3 x fixing clamp.

