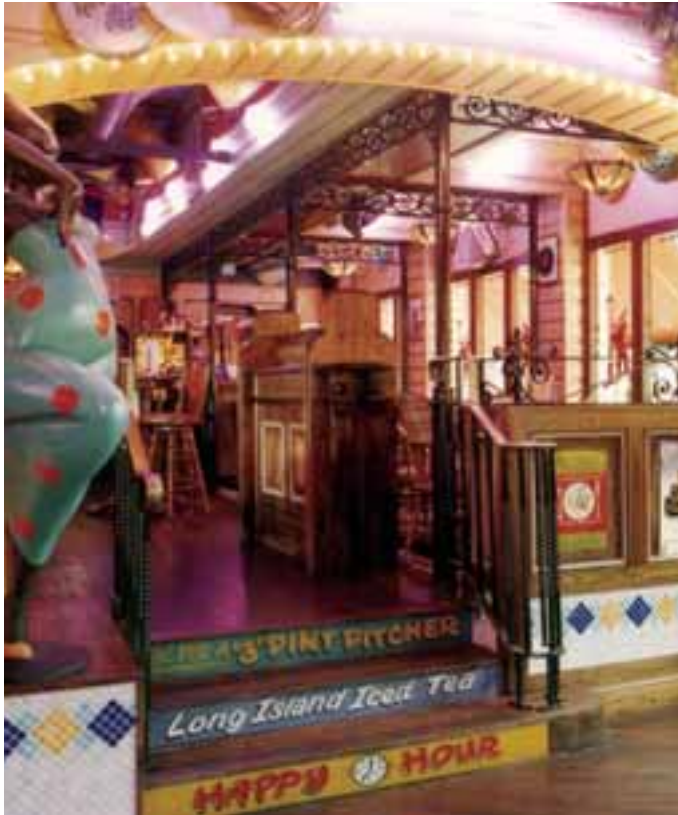


# LINEAR AND FESTOON SYSTEMS



## Linear and Festoon Systems

LightGraphix have a variety of linear festoon systems suitable for many applications like clubs and bars, cinemas and theatres and extending to bridges and piers. These can be used to outline canopies, architectural features or the whole building, creating shapes with lines or curves including the option of chasing effects. They can also be used internally to highlight walkways in stores, internal features and displays. Whilst the components are "off the shelf" the systems are custom made to suit the project. Specification is usually best by way of preparing a "project quote" which can be referred to once tendering starts or orders need to be placed. Contact us to discuss.

# LINEAR AND FESTOON SYSTEMS

## Super TapeLight

SupertapeLight comprises robust polycarbonate lampholders with IP54 push on, prismatic, 17.5mm Dia. domes welded to 20amp figure 8 stranded cable. Spacing between lamps can be anything from 40mm. Indoors, the system can be used without the domes if more sparkle is required.

### Lamps

T10 24V 2W Wedge base –  
30,000hours life  
T10 24V 3.75W Wedge base –  
15,000hours life

### Maximum load in single length of cable

250 off 2W lamps  
130 off 3.75W lamps

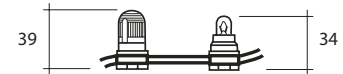
### Maximum cable length

30 metres depending on load, including the length of cable before the first lamp – please specify the “connector length”

Dome colours (domes must be used on exterior installations)  
Clear, Blue, Green, Amber, Red, Pink, Mauve



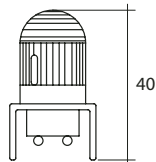
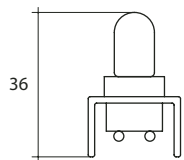
Lampholder base has 2 fixing lugs for 2 x 3.0mm dia. countersunk screws at 31mm centres.



# LINEAR AND FESTOON SYSTEMS

## T10 Lamps on Mini Channel

This is a compact system which is useful for framing windows. The aluminium 23x15mm profile can be supplied in a range of anodised or powdercoated finishes with our 2W or 3.75W T10 lamps at any spacing from 40mm. It is easy for contractors on site to create straight lines or assemble shapes with lengths custom made at the factory.



- Framing exterior windows or mounted along the ledge to light the reveals.
- Lines of light surface mounted on facias or under canopies
- Framing mirrors in club toilet facilities provides useful light and is decorative and safe (SELV)

Wiring in MiniChannel can be static or for 4 Channel chase linked to a suitable controller. Contact us to discuss details and to draw up a project specification.



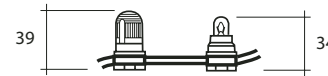
# LINEAR AND FESTOON SYSTEMS



## SupertreeLight

SupertreeLight is an 24V SELV festoon for lighting in larger trees or draping along walls etc.

The system comprises robust polycarbonate lampholders with IP54 push on, prismatic, 17.5mm Dia. domes welded to figure 8 stranded cable. Spacing between lamps can be anything from 40mm.



Dome colours (domes must be used on exterior installations)  
Clear, Blue, Green, Amber, Red, Pink, Mauve



### Lamps

T10 24V 2W Wedge base –  
30,000hours life  
T10 24V 3.75W Wedge base –  
15,000hours life

### Maximum cable length

30 metres depending on load,  
including the length of cable before  
the first lamp – please specify the  
“connector length”

### Maximum load in single length of cable

Clear 20amp Cable  
250 off 2W lamps  
130 off 3.75W lamps

Black 10amp Cable  
90 off 2W lamps  
48 off 3.75W lamps

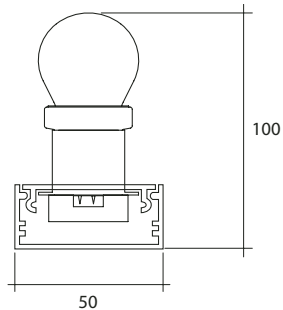
# LINEAR AND FESTOON SYSTEMS

## Linear Trunking Systems

Provide a rigid, surface mounted or self supporting solution for linear architectural lighting on theatre canopies etc. Cable, lampholders and possibly control gear can be concealed and protected within the aluminium profile.

The extrusions are made to site measurements and can be anodised or powdercoated in a range of colours. Maximum single lengths are up to 5.0 metres, in practice more restricted by transport requirements, but can have joining systems so they can be made up into any continuous linear run on site. Some sections may be formed into curves and have mitred corners and junctions using X and T joints.

A wide variety of lampholders, reflectors and light sources may be used with these sections at any spacing and pre-wired for connection to Low Voltage transformers or the mains supply.



## Style 50/20 E27 IP44 with Lamps

This particular option can be used with Low Voltage Xenon Clusterbright Lamps or mains voltage P45 Golfball lamps and is an excellent solution for Theatre canopy lighting. The 50x20mm extrusion can easily accommodate 4 channel chase wiring.



# LINEAR AND FESTOON SYSTEMS

## Clusterbrights

Clusterbrights are range of Clear spherical polycarbonate envelopes in 4 sizes, fitted to standard lamp caps. There is a choice of lamps to be used inside, depending on the effect required from the final installation. The outer envelope may also be frosted (Xenon only).



G19  
6 x 115mA lamps



G30  
10 x 115mA lamps



G40  
12 x 115mA lamps



Xenon Lamp

Catalogue Number	Ø	Lamp Cap
G18	50	E14 (SES)*
G19	60	E27 (ES)
G30	90	E27 (ES)
G40	120	E27 (ES)

\* Not suitable for Xenon or 240V options.

Options	Add Suffix
24V - 6 x 115mA Standard Lamps - 20,000 Hour Life	/S
24V - 10 x 250mA Extra Bright Lamps - 10,000 Hour Life	/EB
24V - 5W Xenon Lamp - 20,000 Hour Life	/X05
24V - 10W Xenon Lamp - 20,000 Hour Life	/X10
Frosted outer bulb for Xenon Lamps	/F
240V - 9 x 40mA Lamps - 10,000 Hour Life	/M

Specification example G19/X10/F

60mm dia. E27 cap Clusterbright with 24V 10W Xenon lamp and frosted envelope

# LINEAR AND FESTOON SYSTEMS

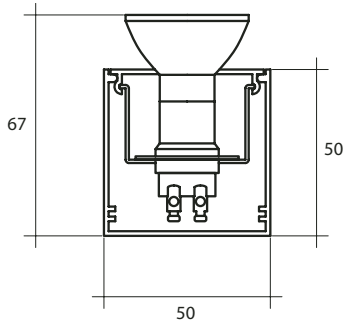
## Linear Coving Systems

### ST50 - Alu37 for wall washing and cove lighting

Sometimes there is a requirement to wash light all the way down a wall to the floor or across a ceiling – this is ideal for the application.

The combination of the frosted aluminium reflector lamps, 150mm spacing and the slot detail shown will ensure that only the even wash of light is seen without evidence of lamp centres.

The system at this spacing is generally made up in 1500mm sections with 10 lamps and a remote 200VA Electronic transformer (not more than a 2.0m lead to the fitting), but the overall length supplied is made up to suit site measurements with lamps in corners if required.



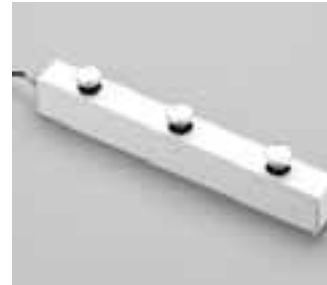
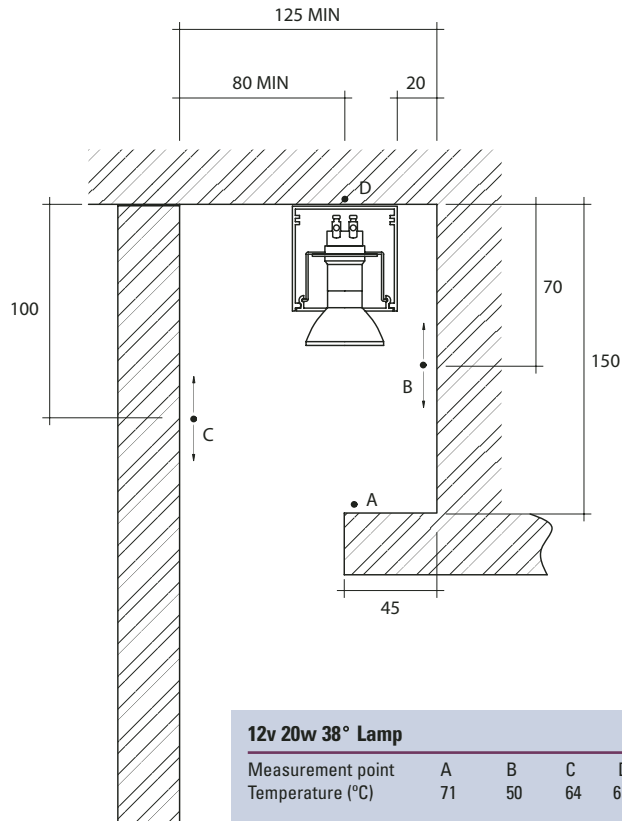
#### Specification example:

ST50-Alu37/F/150/1500  
Frosted lamps at 150mm spacing,  
overall length 1500mm



Dorchester Hotel – Lighting Design International

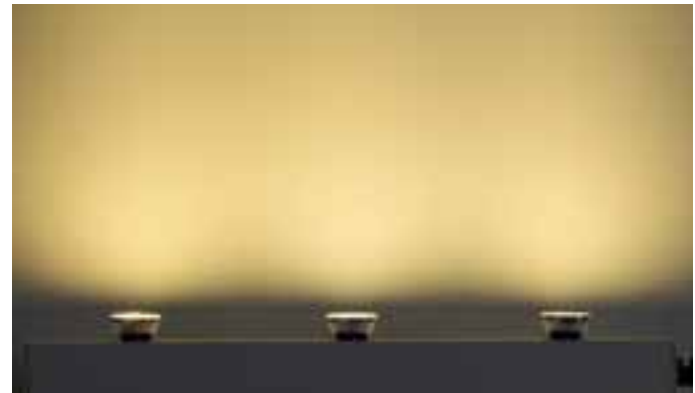
# LINEAR AND FESTOON SYSTEMS



## Lamp data.

12V 20W Halogen  
 Colour temp. 3000°K  
 Lamp Life 2000 hrs  
 Intensity (Frosted glass) 180 - 1000cd  
 340 - 350cd.

The system is useful when other effects are also required – i.e precise, evenly spaced light cones along a wall in a restaurant, would need clear lamps at wider spacing. In this case transformers could be fitted inside the profile making installation even easier. Call us to discuss what you have in mind.



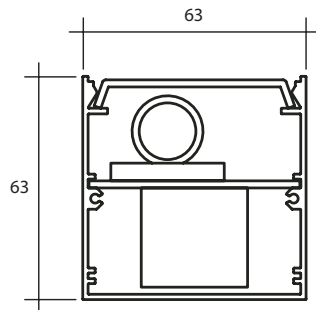
# LINEAR AND FESTOON SYSTEMS

## CF6C T5 Linear coving lighting system

An efficient high output, linear lighting system. T5 fluorescent tubes are set within the 63x63mm Aluminium profile and overlapped to ensure a continuous wash of light with no dark spots and a neat, easily cleaned installation. Electronic high frequency ballasts give flicker free start and long lamp life with optional 1-10V dimming. White reflectors mean that light output is broad and diffused.

CF6C provides continuous linear illumination for concealment within cornices, coving, lighting of shelves or any area where a 'wash' of light is desired.

Designed with clear snap-in diffusers (which provide access to tubes and gear trays) and clean sided bodies, the systems can be fixed flush, or surface mounted. It is a modular system with integral ballasts and lengths based on the T5 lamp lengths. Wiring for power and dimming interconnects through the system.



# LINEAR AND FESTOON SYSTEMS

## Lamp and Control Gear Options

### T5 Fluorescent white colour options

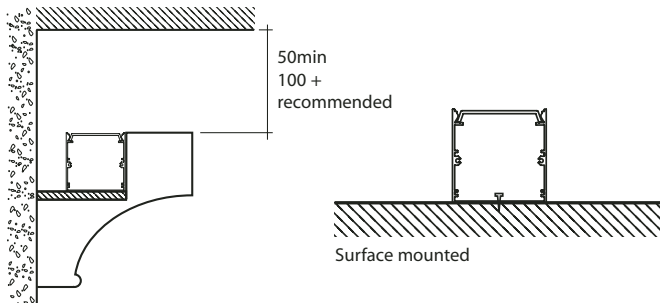
3000K White	/830
4000K Cool white	/840
6000K Daylight	/860

Red, Green and Blue coloured lamps are also available.

### HF Control gear options

Non dimmable	/NDG
Dimmable 1-10V	/110
Dimmable DALI	/DALI

Mounted within cornice for straight runs

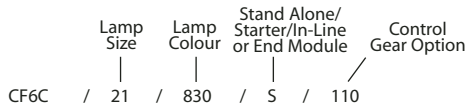


# LINEAR AND FESTOON SYSTEMS

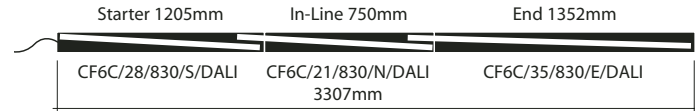
## How to specify CF6C

Modules are available as “starter”, “in-line” and “end” variants, and as a “stand alone” unit.

Continuous runs must include a starter and end module and then “in-filled” with the in-line modules – all lamps have the same surface brightness so wattages can be mixed. Ask us for the spreadsheet of available length combinations to make life easier!



If an overall length of 3320mm is required then it can be made up as follows:



### Example:

CF6C/21/830/S/110

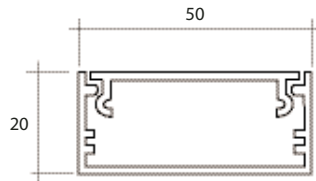
21 Watt – 3000K – Starter – 1-10V dimmable

Description	Product Code Suffix	Stand alone Module length /A	Starter Module length /S	In-line Module length /N	End Module length /E
High Efficiency lamps					
14W	CF6C/14	607	605	----	452
21W	CF6C/21	907	905	750	752
28W	CF6C/28	1207	1205	1050	1052
35W	CF6C/35	1507	1505	1350	1352
High Output lamps					
24W	CF6C/24	607	605	----	452
39W	CF6C/39	907	905	750	752
54W	CF6C/54	1207	1205	1050	1052
80W	CF6C/80	1507	1505	1350	1352

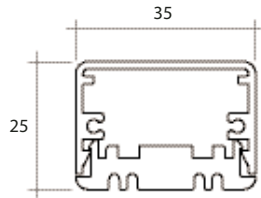
# LINEAR AND FESTOON SYSTEMS

## Linear System Profiles

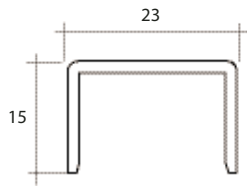
All of these aluminium extrusions are used for one or more "standard" LGX products. However, they are also used in a myriad of custom designs for linear lighting solutions.



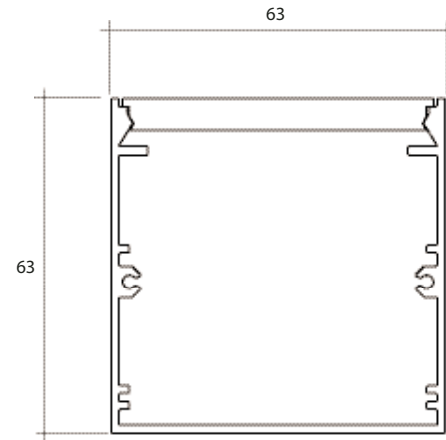
Style 50/20



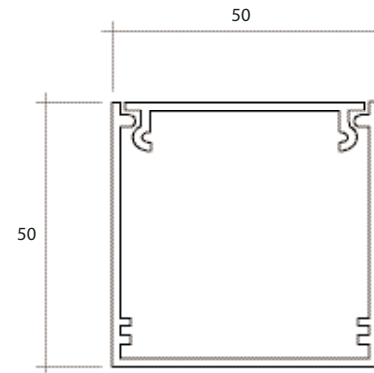
Style 35



Style Mini



Style 63



Style 50