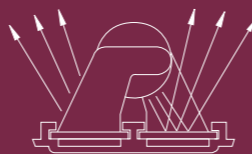




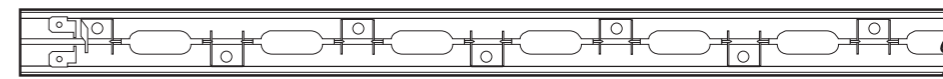
XenLight is a Safety Extra Low Voltage architectural system, very useful for providing continuous illumination around curved surfaces, including coffers, pillars and furniture. It is a festoon of 24volt 20,000 hour xenon lamps and has an integral reflector system which helps give a continuous wash of light. The lightweight, super flexible track can be concealed in small cornices, under fascias & work surfaces and behind plinths. The spring clips lamp holder system works particularly well when the system is being used around tight curves on an inside or outside radius.



The 24V lamps have a rated life of 20,000 Hours with a high output producing lumens per linear metre as follows:

5W Lamps - 720 lm/m
10W Lamps - 1,620 lm/m

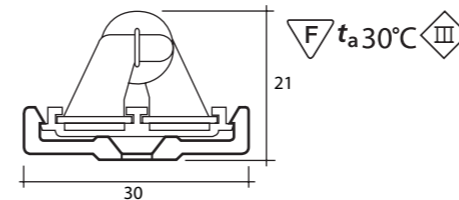
Lamp colour temperature: 2400K-2500K



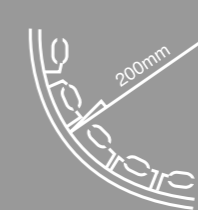
The system is fully dimmable using inductive load dimmers (with wire wound magnetic transformers)

The track is made of extruded polycarbonate containing large cross section electrical conductors. The track is super flexible, is supplied in standard lengths and can be cut down on site.

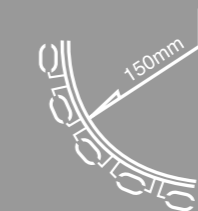
Full size with Mounting Clip



Minimum internal radius 200mm



Minimum external radius 150mm



Surface Mounting Clip



XenLight is supplied with a mounting clip, which the track is snapped into, fixed by a countersunk No.6 screw. Special brackets can be supplied for fixing at specific angles.

Do not install Xenlight with 10W lamps in enclosed spaces, allow adequate ventilation.

Xenlight Kits

XenLight is available in standard 'kits', comprising track, lamps, fixing clips and wire wound transformer, which will satisfy most application requirements. These kits have either 5 or 10W clear lamps as standard - 3, 5, 8.5 or 10W frosted lamps are also available, please request a quotation if these are required.

All components may also be ordered separately for projects that require non-kit items such as coloured lamps or electronic transformers.

A range of extrusions are also available to aid linear installations (see page 10). Note installation guidance diagrams on pages 11 + 12.

Catalogue No	Lamp Watts	Lamp Qty	OAL mm	Clip Qty	Transformer VA
XL 10/05	5	10	600	3	50
XL 10/10	10	10	600	3	100
XL 20/05	5	20	1150	5	100
XL 20/10	10	20	1150	5	200
XL 30/05	5	30	1700	8	200
XL 30/10	10	30	1700	8	300
XL 40/05	5	40	2250	10	200
XL 40/10	10	40	2250	10	400
XL 60/05	5	60	3350	15	300
XL 60/10	10	60	3350	15	600

If electronic transformers are required for use with specific dimming systems, or because of size/weight requirements, please indicate in the specification and note the maximum low voltage cable length of 2.0m.



XenLight Track only

Code	OAL mm	Lampholder Qty.
XL10	600	10
XL20	1150	20
XL30	1700	30
XL40	2250	40
XL60	3350	60

XenLight Lamps (loop ended Xenon)

Code	W	V	Colour	Output	Rated Life
XL05C 24	5	24	Clear	40lm	20,000hrs
XL10C 24	10	24	Clear	90lm	20,000hrs
XL03F 24	3	24	Frosted	30lm	20,000hrs
XL05F 24	5	24	Frosted	40lm	20,000hrs
XL85F 24	8.5	24	Frosted	70lm	20,000hrs
XL10F 24	10	24	Frosted	90lm	20,000hrs
XL05R 24	5	24	Red	40lm	5,000hrs
XL05G 24	5	24	Green	40lm	5,000hrs
XL05B 24	5	24	Blue	40lm	5,000hrs
XL05Y 24	5	24	Yellow	40lm	5,000hrs

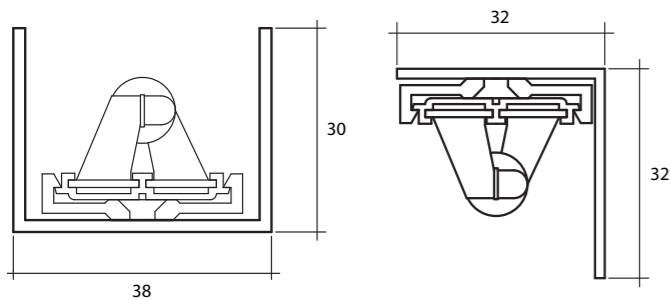
Transformers to power this 24volt system are detailed on pages 198-203



Xenlight Extrusions

E3830 'U' channel Supplied fitted with XenLight mounting clips, this aluminium extrusion enables the track to be simply fitted at second fix installation, ideal for projects where access for fixing of track mounting clips is restricted and to shield a direct view of the lamps

E3232 'Angle' Supplied fitted with XenLight mounting clips, the extrusion provides an upstand/baffle to partially conceal the track.



Maximum single length of 5.1m.

Maximum single length 4m.

Factory cut to contractor specified lengths.

E3830 'U' channel



E3232 'Angle'



Finish options for E3830, E3232

Mill finish
Powder coated white
Silver anodised

Order codes:

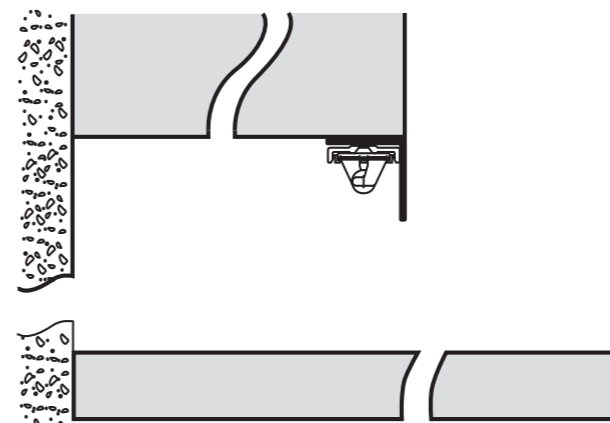
Description	Cat. No	OAL
'U' channel extrusion	E3830	/specify in mm
Angle extrusion	E3232	/specify in mm

Specification Example: E3830 / 1700 / Mill finish
Channel extrusion of 1700mm. Mill finish.

Xenlight Installation Guidance

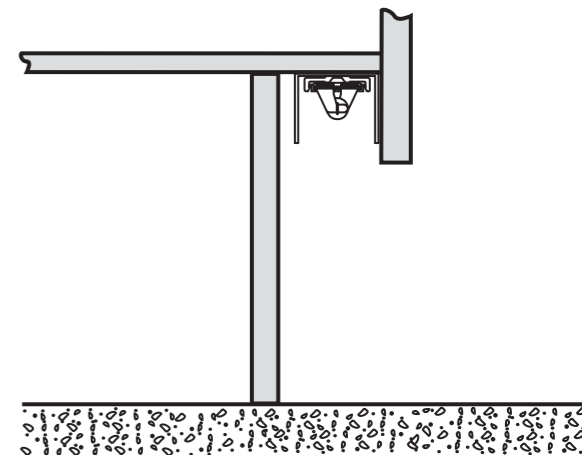
Counter-top / Shelf illumination

Light track concealed within angle extrusion - for straight runs only.



Kick-back illumination

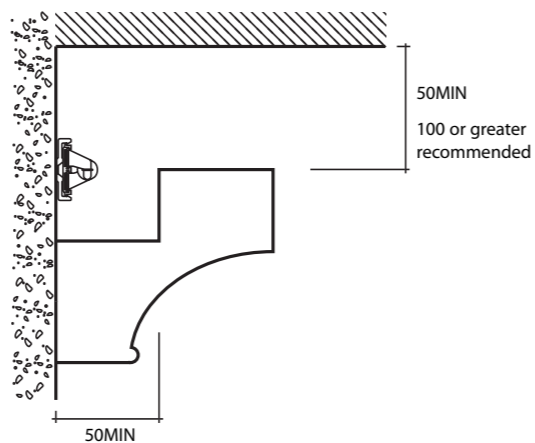
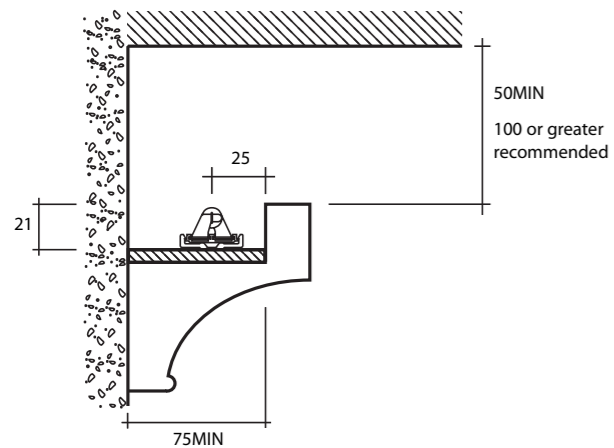
XenLight track located behind plinth - for straight track runs only.



Concealed coffer / ceiling illumination

XenLight track concealed within wall void or cornice - for straight track runs only.

XenLight track concealed within wall void or cornice - for straight / curved / around corner track runs.

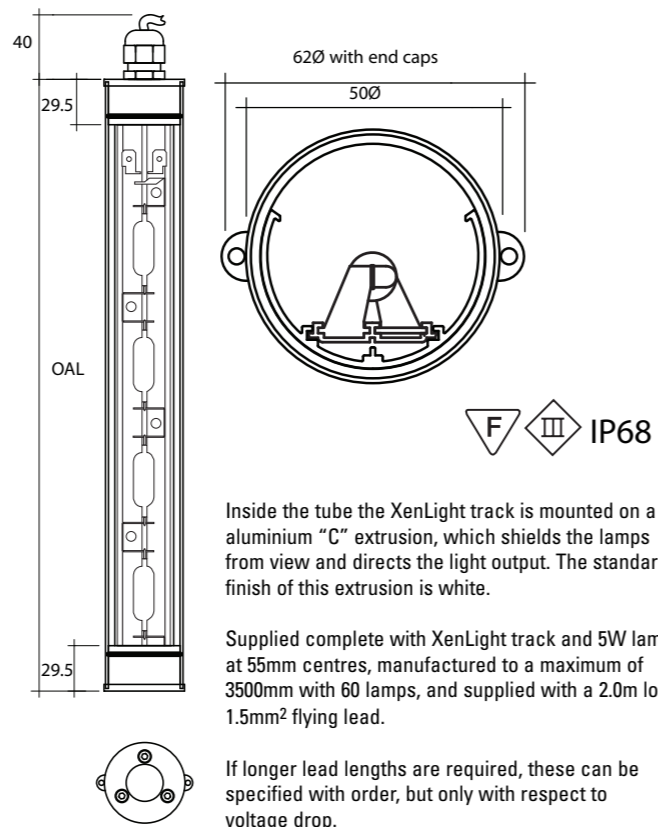


Exterior XenLight

Exterior XenLight is an IP68 class III SELV system suitable for harsh environments, whether on building facades, illuminating window reveals, or submerged in water features.

The polycarbonate extrusion is manufactured to the custom length required, (to a maximum of 3500mm) and is surface mounted. Fixed by means of spring clip or saddle clip (see opposite), both enable the tube to be rotated, to direct the light output.

Relamping is made easy by removing the tube from the clips, unscrewing the end cap and sliding out the Xenlight strip. The maintenance cycle is greatly improved by the 24V 5W, 20,000 hour lamps, which have a warm colour appearance of 2400K.



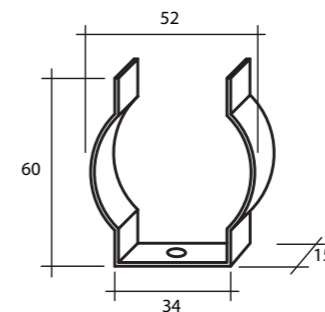
Inside the tube the XenLight track is mounted on a aluminium "C" extrusion, which shields the lamps from view and directs the light output. The standard finish of this extrusion is white.

Supplied complete with XenLight track and 5W lamps at 55mm centres, manufactured to a maximum of 3500mm with 60 lamps, and supplied with a 2.0m long, 1.5mm² flying lead.

If longer lead lengths are required, these can be specified with order, but only with respect to voltage drop.

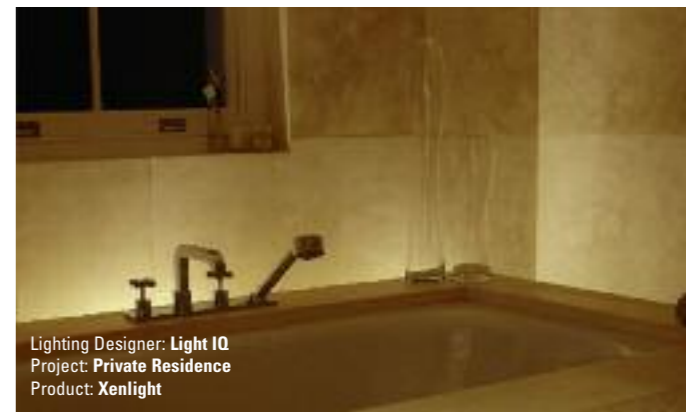
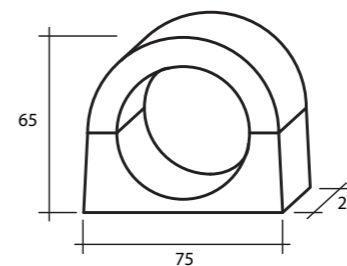
Exterior XenLight Fixings

Sprung fixing clip. (2 off per metre) included as standard.



/SF - Saddle fixing clip.

Available as an optional accessory (2 per m. required).



Lighting Designer: Light IQ
Project: Private Residence
Product: Xenlight

XenLight Lamps

IP68 XenLight can use 5W lamps maximum. See page 133.

Specification example:

XLIP68/1550/SF
IP68 XenLight overall length 1550mm supplied with 3 Saddle clip fixings.

Transformers to power this 24volt system are detailed on pages 198-203