



Design: Lees Associates  
Project: Private Residence  
Product: CF6C

## Linear and Festoon Systems

LightGraphix have a variety of linear, cove and festoon systems suitable for many applications.

Our linear cove products include systems for continuous wash of light onto a ceiling or up/down wall washing that can illuminate a complete wall. LightGraphix festoon systems are ideal for clubs and bars, cinemas and theatres and extending to bridges and piers. These can be used to outline canopies, architectural features or the whole building, creating shapes with lines or curves including the option of chasing effects. They can also be used internally to highlight walkways in stores, internal features and displays.

Specification is usually best by way of preparing a "project quote" which can be referred to once tendering starts or orders need to be placed. Contact us to discuss.

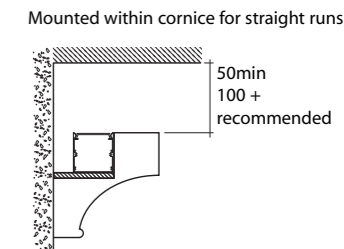
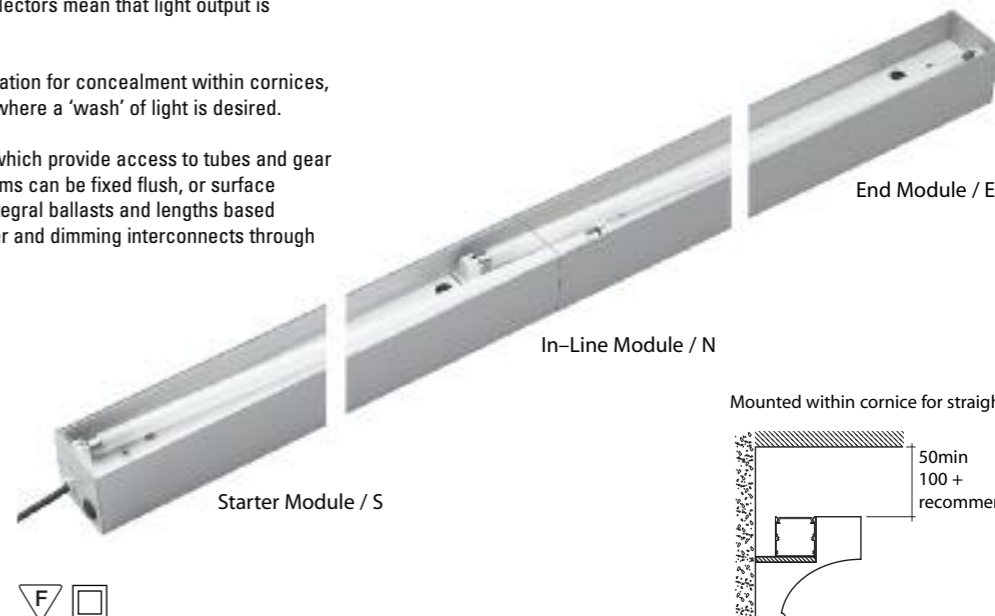
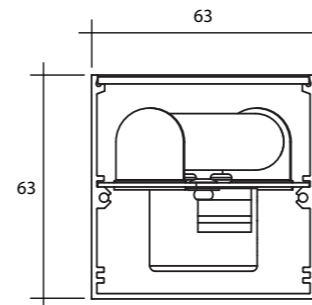
## CF6C T5 Linear coving lighting system

An efficient high output, linear lighting system. T5 fluorescent tubes are set within the 63x63mm Aluminium profile and overlapped to ensure a continuous wash of light with no dark spots and a neat, easily cleaned installation. Electronic high frequency ballasts give flicker free start and long lamp life with optional 1-10V dimming. White reflectors mean that light output is broad and diffused.

CF6C provides continuous linear illumination for concealment within cornices, coving, lighting of shelves or any area where a 'wash' of light is desired.

Designed with clear snap-in diffusers (which provide access to tubes and gear trays) and clean sided bodies, the systems can be fixed flush, or surface mounted. It is a modular system with integral ballasts and lengths based on the T5 lamp lengths. Wiring for power and dimming interconnects through the system.

Whilst the modules are in standard lengths the systems are custom made to suit the project.



# LINEAR AND FESTOON SYSTEMS

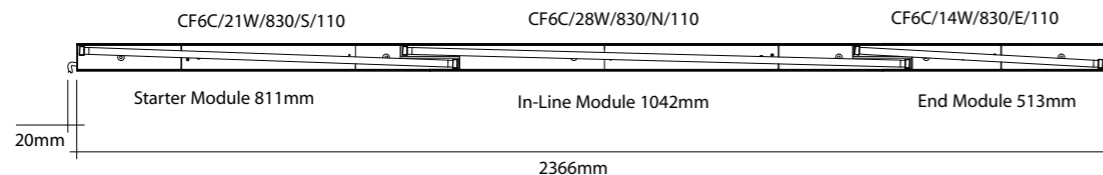
# LINEAR AND FESTOON SYSTEMS

## How to specify CF6C

Modules are available as “starter”, “in-line” and “end” variants, and as a “stand alone” unit.

Continuous runs must include a starter and end module and then “in-filled” with the in-line modules – all lamps have the same surface brightness so wattages can be mixed. Ask us for the spreadsheet of available length combinations to make life easier!

If an overall length of 2400mm is required then it can be made up as follows:



Allow 20mm for cable exit.

## Module lengths

Description	Product code suffix	Stand alone module length /A	Starter module length /S	In-line module length /N	End module length /E
High Efficiency lamps					
14W	CF6C/14	581	513	----	513
21W	CF6C/21	880	811	744	811
28W	CF6C/28	1180	1111	1042	1111
35W	CF6C/35	1480	1412	1344	1412
High Output lamps					
24W	CF6C/24	581	513	----	513
39W	CF6C/39	880	811	744	811
54W	CF6C/54	1180	1111	1042	1111
80W	CF6C/80	1480	1412	1344	1412

## Module specification

CF6C	Lamp Colour	Module	Control Gear
High Efficiency 14W 21W 28W 35W High Output 24W 39W 54W 80W	830 - Warm White 3000K 840 - Cool white 4000K 860 - Daylight 6000K  Red, Green and Blue lamps also available.	A - Starter N - In-Line E - End A - Stand alone	NDG - Non dimmable 110 - Dimmable 1-10V DALI - Dimmable DALI
<b>Example:</b>			
CF6C	14W	830	A
			110



Lighting Design: Lees Associates  
Project: Private Residence  
Product: CF6C

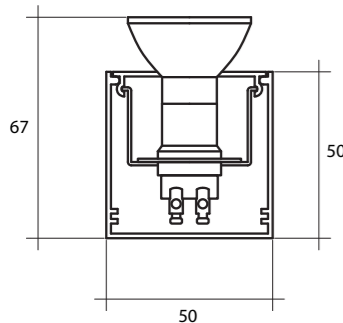
# LINEAR AND FESTOON SYSTEMS

## ST50 - Alu37 for wall washing and cove lighting

Sometimes there is a requirement to wash light all the way down a wall to the floor or across a ceiling – this is ideal for the application.

The combination of the frosted aluminium reflector lamps, 150mm spacing and the slot detail shown will ensure that only the even wash of light is seen without evidence of lamp centres.

The system at this spacing is generally made up in 1500mm sections with 10 lamps and a remote 200VA Electronic transformer (not more than a 2.0m lead to the fitting), but the overall length supplied is made up to suit site measurements with lamps in corners if required.



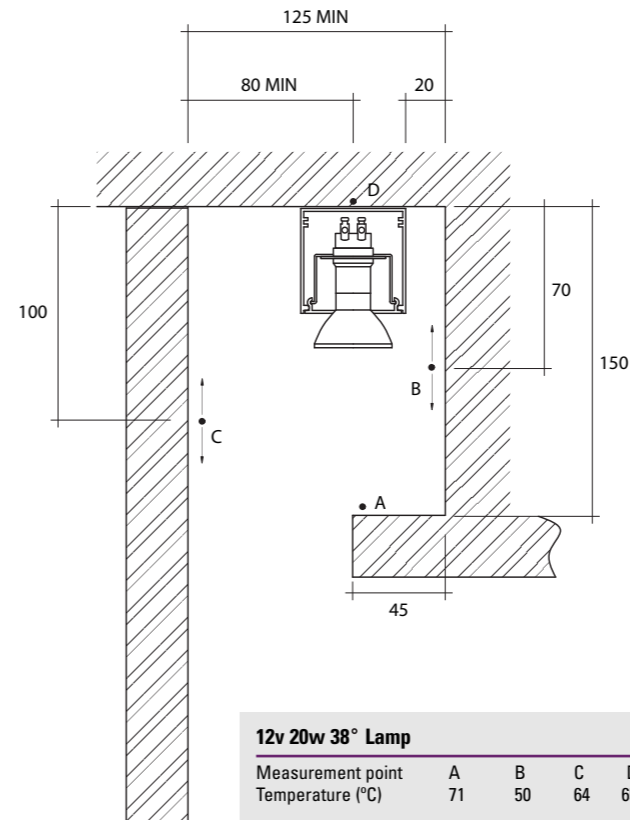
### Specification example:

ST50-Alu37/F/150/1500  
Frosted lamps at 150mm spacing,  
overall length 1500mm



Lighting Design: **Lighting Design International**  
Project: **Dorchester Hotel**  
Product: **ST50-Alu37**

# LINEAR AND FESTOON SYSTEMS



### 12v 20w 38° Lamp

Measurement point	A	B	C	D
Temperature (°C)	71	50	64	65



### Lamp data.

12V 20W Halogen  
Colour temp. 3000°K  
Lamp Life 2000 hrs  
Intensity (Frosted glass) 180 - 1000cd  
340 - 350cd.

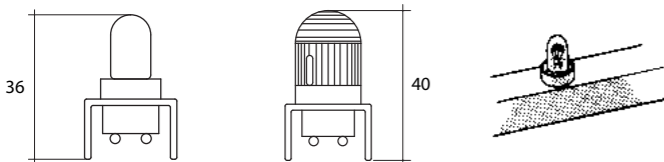
The system is useful when other effects are also required – i.e precise, evenly spaced light cones along a wall in a restaurant, would need clear lamps at wider spacing. In this case transformers could be fitted inside the profile making installation even easier. Call us to discuss what you have in mind.



# LINEAR AND FESTOON SYSTEMS

## T10 Lamps on Mini Channel

This is a compact system which is useful for framing windows. The aluminium 23x15mm profile can be supplied in a range of anodised or powdercoated finishes with our 3W T10 lamps at any spacing from 40mm. It is easy for contractors on site to create straight lines or assemble shapes with lengths custom made at the factory.



- Framing exterior windows or mounted along the ledge to light the reveals.
- Lines of light surface mounted on facias or under canopies
- Framing mirrors in club toilet facilities provides useful light and is decorative and safe (SELV)

Wiring in MiniChannel can be static or for 4 Channel chase linked to a suitable controller. Contact us to discuss details and to draw up a project specification.



# LINEAR AND FESTOON SYSTEMS

## Super TapeLight

SupertapeLight comprises robust polycarbonate lampholders with IP54 push on, prismatic, 17.5mm Dia. domes welded to 20amp figure 8 stranded cable. Spacing between lamps can be anything from 40mm. Indoors, the system can be used without the domes if more sparkle is required.

### Lamps

T10 24V 3W Wedge base –  
10,000 hours life

### Maximum load in single length of cable

200 off 3W lamps

### Maximum cable length

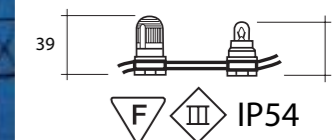
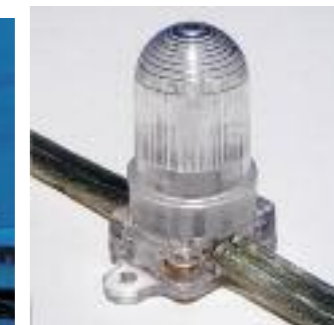
30 metres depending on load, including the length of cable before the first lamp – please specify the “connector length”



Dome colours (domes must be used on exterior installations)  
Clear, Blue, Green, Amber, Red, Pink, Mauve



Lampholder base has 2 fixing lugs for 2 x 3.0mm dia. countersunk screws at 28mm centres.

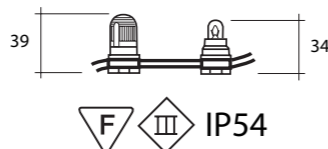


# LINEAR AND FESTOON SYSTEMS



## SupertreeLight

SupertreeLight is an 24V SELV festoon for lighting in larger trees or draping along walls etc. The system comprises robust polycarbonate lampholders with IP54 push on, prismatic, 17.5mm Dia. domes welded to figure 8 stranded cable. Spacing between lamps can be anything from 40mm.



### Lamps

T10 24V 3W Wedge base – 10,000 hours life

### Maximum load in single length of cable

200 off 3W lamps

Dome colours (dome colours must be used on exterior installations) Clear, Blue, Green, Amber, Red, Pink, Mauve



### Maximum cable length

30 metres depending on load, including the length of cable before the first lamp – please specify the “connector length”

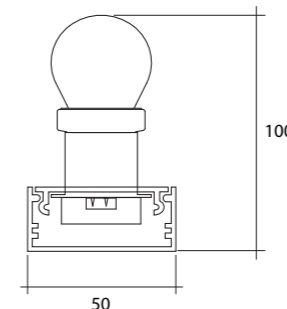
# LINEAR AND FESTOON SYSTEMS

## Linear Trunking Systems

Provide a rigid, surface mounted or self supporting solution for linear architectural lighting on theatre canopies etc. Cable, lampholders and possibly control gear can be concealed and protected within the aluminium profile.

The extrusions are made to site measurements and can be anodised or powdercoated in a range of colours. Maximum single lengths are up to 5.0 metres, in practice more restricted by transport requirements, but can have joining systems so they can be made up into any continuous linear run on site. Some sections may be formed into curves and have mitred corners and junctions using X and T joints.

A wide variety of lampholders, reflectors and light sources may be used with these sections at any spacing and pre-wired for connection to Low Voltage transformers or the mains supply.



III IP44

## Style 50/20 E27 IP44 with Lamps

This particular option can be used with Low Voltage Xenon Clusterbright Lamps or mains voltage P45 Golfball lamps and is an excellent solution for Theatre canopy lighting. The 50x20mm extrusion can easily accommodate 4 channel chase wiring.



Project: The Duchess Theatre  
Product: Style 50/20 E27 IP44 with lamps at 150mm

# LINEAR AND FESTOON SYSTEMS

# LINEAR AND FESTOON SYSTEMS

## Clusterbrights

Clusterbrights are a range of Clear spherical polycarbonate envelopes in 4 sizes, fitted to standard lamp caps. There is a choice of lamps to be used inside, depending on the effect required from the final installation. The outer envelope may also be frosted (Xenon only).



G19  
/S with 6x115mA



G30  
/S with 6x115mA



G40  
/EB with 10x250mA



Xenon Lamp

Catalogue number	Ø	Lamp cap
G18	50	E14 (SES)*
G19	60	E27 (ES)
G30	90	E27 (ES)
G40	120	E27 (ES)

\* Not suitable for Xenon or 240V options.

Options	Suffix
24V - 6 x 115mA standard lamps - 20,000 hour life	/S
24V - 10 x 250mA extra bright lamps - 10,000 hour life	/EB
24V - 5W Xenon lamp - 20,000 hour life	/X05
24V - 10W Xenon lamp - 20,000 hour life	/X10
Frosted outer bulb for Xenon lamps	/F
240V - 9 x 40mA lamps - 10,000 hour life	/M

Specification example G19/X10/F

60mm dia. E27 cap Clusterbright with 24V 10W Xenon lamp and frosted envelope



Lighting Design: Into Lighting Ltd  
Project: Showcase Cinema de Lux, Westfield in Derby  
Product: Clusterbrights

# LINEAR AND FESTOON SYSTEMS

# LINEAR AND FESTOON SYSTEMS

## Linear System Profiles

All of these aluminium extrusions are used for one or more "standard" LGX products. However, they are also used in a myriad of custom designs for linear lighting solutions.

