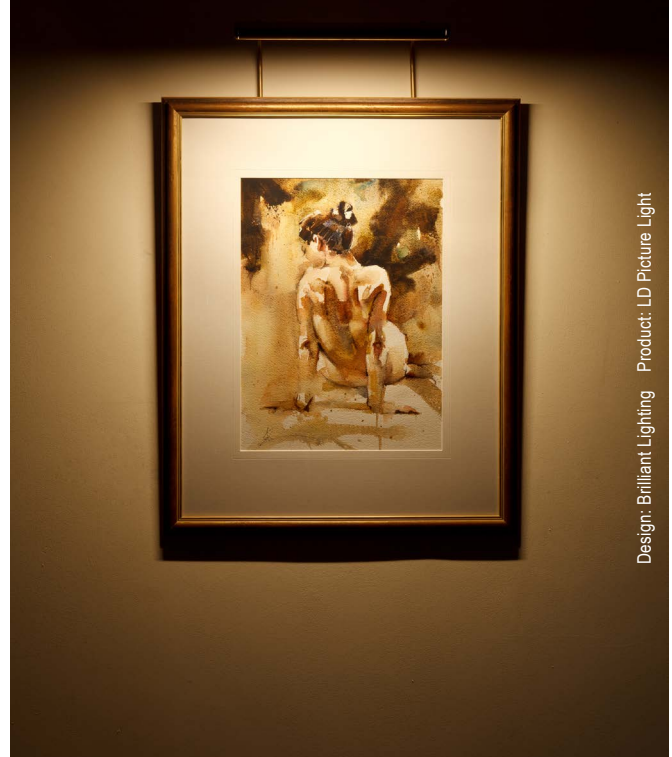


LD Picture Light



Miniature 24V LED Picture Light

Data sheet - Page 1



Design: Brilliant Lighting Product: LD Picture Light

LD picture lights are designed to light paintings and artwork effectively; which means with adequate light and good colour rendering with no UV. Depending on the finishes specified, they will suit projects with either period or contemporary furnishings and décor.

Key Features

- Very slim profile for minimal viewing angle
- Height adjustable with 90deg tilt head
- LED assembly is set deep within the profile for reduced glare
- Very lightweight
- High quality look and feel with machined end caps and brass arms
- Standard lengths and custom lengths available
- Clear and frosted covers (frosted does not remove the LED spots)
- Available with Switched, 1-10V, DMX or Dali drivers



Specification

Applications		
Description	LGX9C board	
Colour Temperature	2700K / 3000K	4000K / 5000K
Delivered lumens / m	900lm/m	1000lm/m
Watts / m	12.5W/m	
Lumens per watt	70lm/m	
Voltage (V)	24V DC	
CRI	85	
LED	LGX board with Osram Duris LEDs	
LED cut increments	75mm	
LED spacing	25mm	
Min single length	220mm	
Max single length*	1900mm	
LED lifetime	50,000hrs (to 70% lumen output)	
Max ambient temperature	45°C	
Materials	Silver anodised aluminium extrusion, aluminium machined end caps, brass arms and knuckle joints	
Cable length	Comes pre-wired with 2 single 500mm leads	
Accessories	Clear or frosted cover	
IP rating	IP40	

*Shipping and practicalities of installation need to be considered when specifying long lengths



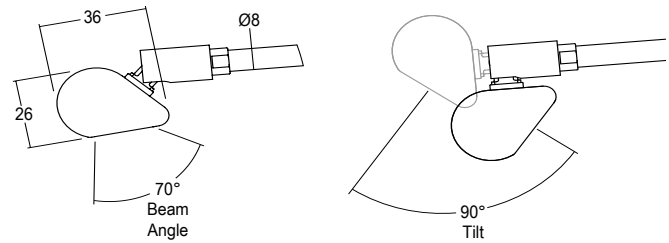
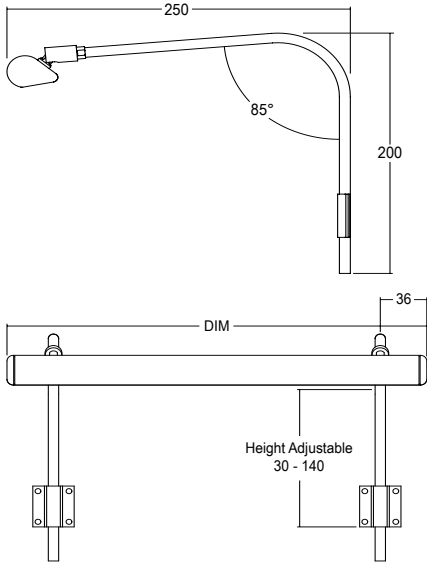
LD Picture Light

Miniature 24V LED Picture Light



Data sheet - Page 2

Fixing Options and Dimensions



Wet spray finishes

LightGraphix has had four custom colours made up to allow us to give a much closer match to our anodised finishes. This allows us to match the finish of all the component parts of the LED picture light, which is manufactured from many different materials.



Mounting a driver behind a picture

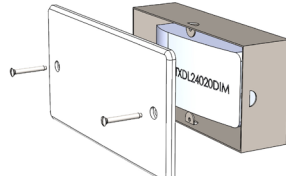
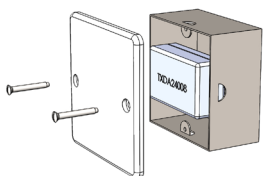
If the LED driver can not be located remotely then one of the drivers below can be located in a box recessed into the wall behind the picture (wall box supplied by others).

TXDA24008 (8W)

Non dim, to suit standard single gang

TXDL24020DIM (20W)

1-10V dim, to suit standard double gang wall box



Order Codes and Options

Product code	LED colour	Cover	Finish
LD-PL***			

Example: LD-PL275 / LW30 / CC / White RAL 9001

Product length code

220mm	2W - single arm only	LD-PL220
275mm	3W	LD-PL275
350mm	4W	LD-PL350
425mm	5W	LD-PL425
510mm	6W	LD-PL510
660mm	8W	LD-PL660
Custom lengths up to 1900mm (over 1200mm requires 3 arms)		LD-PL****

LED colour options

LED colour options	Suffix
Extra Warm White (2700K)	/LW27
Warm White (3000K)	/LW30
White (4000K) - on request	/LW40
Cool White (5000K)	/LW50

Cover options

Clear	/CC
Frosted	/FC

Finish options

Paint finishes – Matt white RAL 9016, Cream white RAL9001, Matt black 9005, Antique bronze, Satin antique brass, Satin brass, Silver anodised
Special finishes – Chrome plated

To be used with 24V constant voltage LED Drivers and Controllers

We offer a range of drivers with 1-10V, DMX, and DALI dimming options. Please download the data sheet from the downloads section at www.lightgraphix.co.uk, or contact us for more information