

LD Picture Light

IP40  

Miniature 24V LED Picture Light

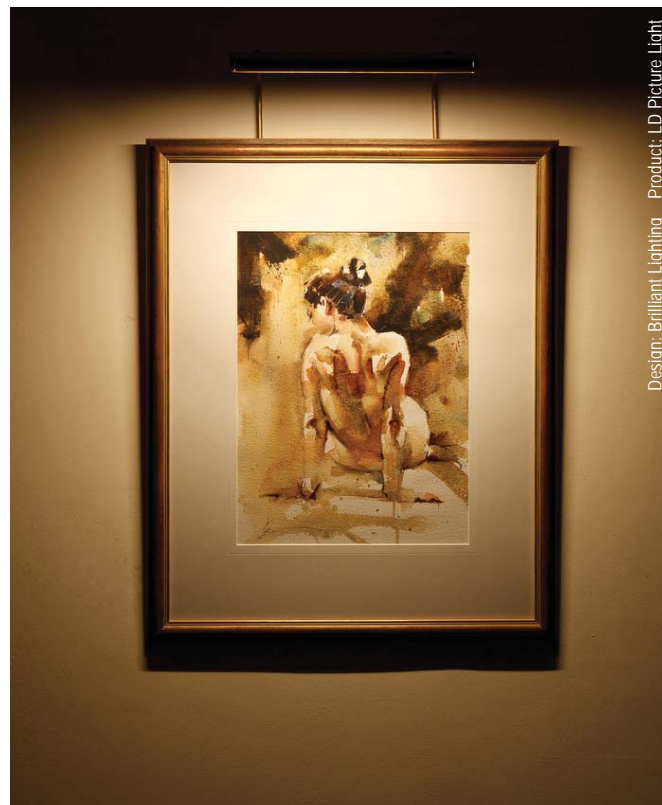
Data sheet - Page 1

LD picture lights are designed to light paintings and artwork effectively; which means with adequate light and good colour rendering with no UV. Depending on the finishes specified, they will suit projects with either period or contemporary furnishings and décor.

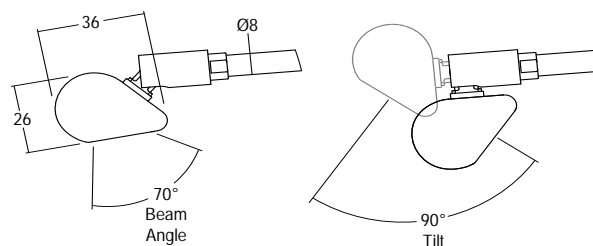
- Very slim profile for minimal viewing angle
- Height adjustable with 90deg tilt head
- LED assembly is set deep within the profile for reduced glare
- Very lightweight
- High quality look and feel with machined end caps and brass arms
- Standard lengths and custom lengths available
- Clear and frosted covers (frosted does not remove the LED spots)
- Fantastic range of wet spray finishes specially made up for LightGraphix
- Available with Switched, 1-10V, DMX or Dali drivers

Specification

Applications	Picture lighting, Exhibition
LED	LGX9C board with Osram Duris LED chips
Delivered lumens / m	900lm/m
Watts / m	12.5W/m
Lumens per watt	70lm/w
Colour temperature	3000K or 5000K
Voltage	24V DC
CRI	85
Board size	75mm
LED spacing	25mm
Min single length	220mm
Max single length	1900mm
LED lifetime (to 70% lumen maintenance)	50,000 hrs
Materials	Silver anodised aluminium extrusion, aluminium machined end caps, brass arms and knuckle joints
Wiring	Comes pre-wired with 2 single 500mm leads
Max ambient temp	45°C
Accessories	Clear or frosted cover
IP rating	IP40



Design: Brilliant Lighting Product: LD Picture Light



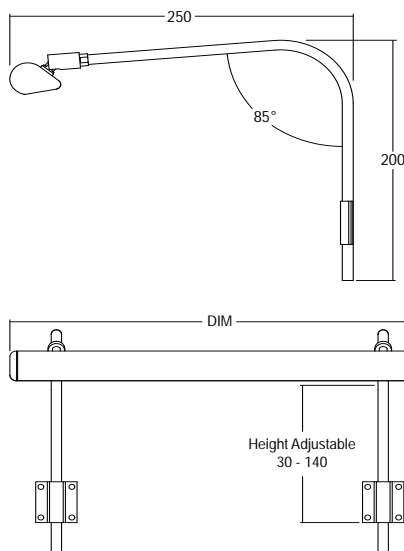
LD Picture Light

Miniature 24V LED Picture Light

IP40  

Data sheet - Page 2

Fixing Options and Dimensions



Wet spray finishes

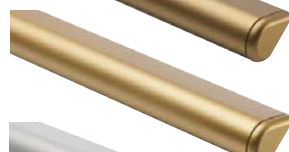
LightGraphix has had four custom colours made up to allow us to give a much closer match to our anodised finishes. This allows us to match the finish of all the component parts of the LED picture light, which is manufactured from many different materials.



/Antique bronze



/Satin antique brass



/Satin brass



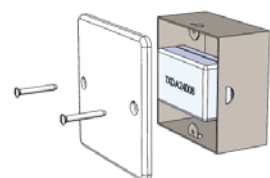
/Silver anodised

Mounting a driver behind a picture

If the LED driver can not be located remotely then one of the drivers below can be located in a box recessed into the wall behind the picture (wall box supplied by others).

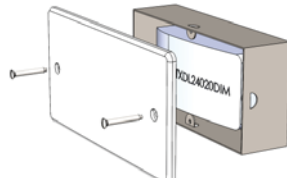
TXDA24008 (8W)

Non dim, to suit standard single gang



TXDL24020DIM (20W)

1-10V dim, to suit standard double gang wall box



Order Codes and Options

Product code	LED colour	Cover	Finish
LD-PL***			

Example: LD-PL275 / LW30 / CC / White RAL 9001

Product Length Code

220mm (2W) - single arm only	LD-PL220
275mm (3W)	LD-PL275
350mm (4W)	LD-PL350
425mm (5W)	LD-PL425
510mm (6W)	LD-PL510
660mm (8W)	LD-PL660
Custom Lengths up to 1900mm (over 1200mm requires 3 arms)	LDPL-SP ****

LED colour options

LED colour options	Suffix
Warm white (3000K)	/LW30
Cool white (5000K)	/LW50
Colour corrected using filter (****K add desired colour temperature)	/LWC****

Cover options

Clear cover	/CC
Frosted cover	/FC

Finish options

Standard powder coat finishes - Matt white RAL 9016M, Cream white (RAL 9001), Matt black AN200E
 Wet spray finishes - Antique bronze, Satin antique brass, Satin brass, Silver anodised
 Special finishes - Chrome or nickel plated

To be used with 24V constant voltage LED Drivers and Controllers

We offer a range of drivers with 1-10V, DMX, and DALI dimming options. Please download the data sheet from the downloads section at www.lightgraphix.co.uk, or contact us for more information. See note to the left on small drivers that can be located near the picture light.