

## LD10238

### HIGH-POWER SURFACE MOUNTED ADJUSTABLE INTERIOR/EXTERIOR LED SPOTLIGHT



The LD10238 is a compact, high powered surface mounted spotlight, suitable for use in interior or exterior applications. It can be specified with a wide range of options allowing it to suit most project requirements. Available LED engines include E2, Tunable White, N1 and F1 LEDs offering multiple outputs, excellent CRIs of 90+ (N1 & F1 COBs) and colour temperatures between 2200K-5000K. It has a minimal design and is supplied with an anti-glare cowl as well as a choice of mounting methods, such as a bracket, mount base, tree strap or adjustable ground spike. The use of a matt black inner baffle, recessed LED, single optic and optional honeycomb louvre ensure excellent low glare illumination. With a large selection of paint finishes available and fixing options, the LD10238 can blend discreetly into many environments. This is a very tough, high quality fitting, machined from high grade materials, ensuring excellent thermal and light output performance.



Design: Lighting Design International  
Project: Four Seasons Astir Palace Hotel, Athens  
Product: LD10238  
Photography: Gavril (www.gavrilux.com)

## KEY FEATURES

- > E2 light engine featuring CREE LED, with 2-step binning and built-in reverse polarity protection
- > Multiple engine options include N1 & F1 COB LEDs with 90+ CRI and 2200K colour option - Tunable White, RGBW engine also available
- > Compact but powerful fitting, up to 700mA delivering 891 lumens in 3000K
- > Machined aluminium fitting, paint finishes include: White (RAL 9016), Silver, Grey (RAL 7016), Black (RAL 9005), Antique Bronze, Satin Antique Brass, Satin Brass or any RAL finish
- > 90° head tilt adjustment
- > Beam angles include, narrow 10° spot for lighting columns and arches, or a 15°x49° spreader lens, ideal for wall washing applications
- > Single light source and optic produces a consistent beam removing multiple shadows and includes black trim glass with peak intensity up to 7851
- > 47mm recessed LED lens assembly within the body for reduced glare
- > Anti-glare cowl included and optional honeycomb louvre for low-glare
- > Fixing options include adjustable and non adjustable surface mount, surface mounting base and ground spike
- > Switched, 0-10V, Casambi, DMX, DALI, or Mains dimmable drivers available

## DIMENSIONS

Dimensions in mm

For fitting and accessory dimensions please go to page 4.



WHITE LED ENGINE SPECIFICATION

Engine	E2			N1			F1		
Beam angles	10°, 19°, 34°, 54°, 15°x 49°			28°, 35°, 46°, 65°, 22°x 43°			25°, 37°, 65°, 18°x 45°		
LED manufacturer	CREE			CREE			CREE		
Colour temperature*	2700K/ 3000K/ 4000K/ 5000K			2200K/ 2700K/ 3000K/ 4000K/ 5000K			2200K		
Current	350mA	500mA	700mA	350mA	500mA	700mA	350mA	500mA	700mA
LED power (Max)	4.2W (5W**)	6W (7W**)	8.4W (10W**)	6.6W (7W**)	9.4W (10W**)	13.3W (14W**)	3.2W (3.5W**)	4.5W (5W**)	6.3W (7W**)
Delivered lumens (L <sub>100</sub> )	392	474	601	494	677	891	227	241	367
Lumens per circuit watt	79	68	68	71	68	64	65	49	52
CRI (Min)	85			93			90		
Forward voltage (V <sub>100</sub> )	14V			18V			9V		
Colour consistency	2 SCDM			2 SCDM			3 SCDM		
Peak intensity	7851 cd			2922 cd			1641 cd		
LED Lumens	873			1393			623		
LOR	0.69			0.64			0.59		
TM30	RF85	RG99		RF91	RF91		RF90	RG103	
LED lifetime	L90B5 at 90,000hrs								
Applications									

\*see lumen variance table to the right





\*\*indicates the nominal power for the LED run at that particular current and includes losses associated with using an 85% efficient driver

Lumen variance by CCT	
2700K	+/- 0%
4000K	+7%
5000K	+16%

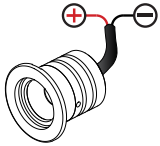
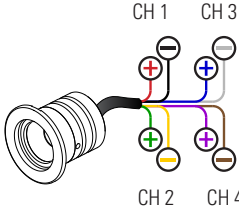
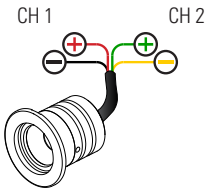
MECHANICAL

Ambient temperature	-20° to 45° (500mA) or -20° to 35° (700mA)
Glass	Low iron glass 3mm thick
Materials	Anodised aluminium body, with stainless steel fixing brackets
Weight of product	0.72kg
IP rating	IP67
IK rating	IK08
Wiring	In-series constant current wiring (pre-wired with 2 core cable at a length of 1m)

COLOUR & DYNAMIC LED ENGINE SPECIFICATION

Engine	 CL - Colour	 RGBW	 TW - Tunable White
Beam angles	24°, 38°, 54°, 20°x 46°	38° colour mix lens	24°, 38°, 54°, 20°x 46°
LED manufacturer	CREE	CREE	CREE
Colour temperature	Red, Green, Blue, Amber	Red, Green, Blue, 4000K White	Warm White 2700K or 3000K   Cool White 4000K or 5000K
Current	500mA	350mA   500mA	500mA
LED power (Max)	7W	3.5W   5W	7W 3.5W per channel
Applications			

MECHANICAL

Glass	Low iron glass 3mm thick		
Materials	Anodised aluminium body, with stainless steel fixing brackets		
Weight of product	0.72kg		
IP rating	IP67		
IK rating	IK08		
Wiring	<p><b>CL</b> - 2 core cables at 1m in length</p> 	<p><b>RGBW</b> - 8 core cables at 1m in length</p> 	<p><b>TW</b> - 4 core cables at 1m in length</p> 

## AVAILABLE FINISHES

*Please refer to our finishes guide for full details*

The LD10238 body is machined from aluminium and painted in-house at LightGraphix. Paint finishes are suitable for interior and exterior use on surface mounted products. Our standard colours are below but we can accommodate any RAL request.



SILVER ANODISED



ANTIQUE BRONZE



SATIN ANTIQUE BRASS



SATIN BRASS



BLACK (RAL 9005)



ANTHRACITE GREY (RAL 7016)



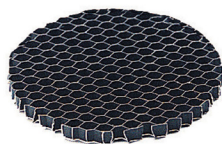
WHITE (RAL 9016)



RAL COLOURS

## GLARE SHIELD & ACCESSORY OPTIONS

/HL Honeycomb louvre can be used for further reducing glare. Please note this is not suitable for use with the 15° x 49° oval beam or RGBW optic due to the quality of the beam.



MOUNTING OPTIONS AND DIMENSIONS

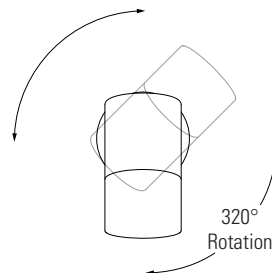
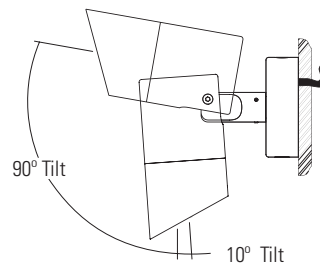
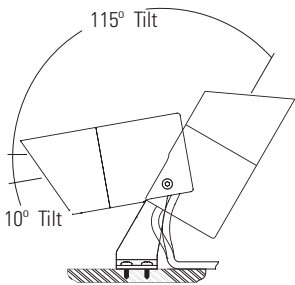
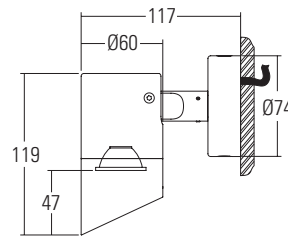
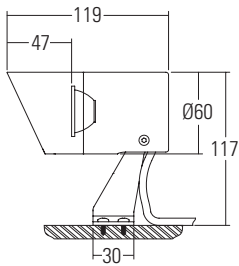
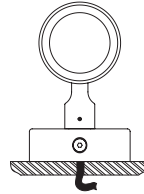
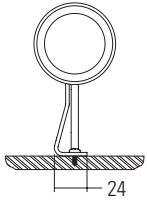
Dimensions in mm

/SAM

Surface adjustable mounting is screwed to the surface via a strong mounting stand which allows for minor rotational adjustment. The fitting tilt adjustment is lockable via the socket head screw located on the side. Weight: 0.05kg

/SMB

Surface mount base offers hidden wiring and a machined pivot arm with lockable tilt and rotation of the fitting. Weight: 0.14kg





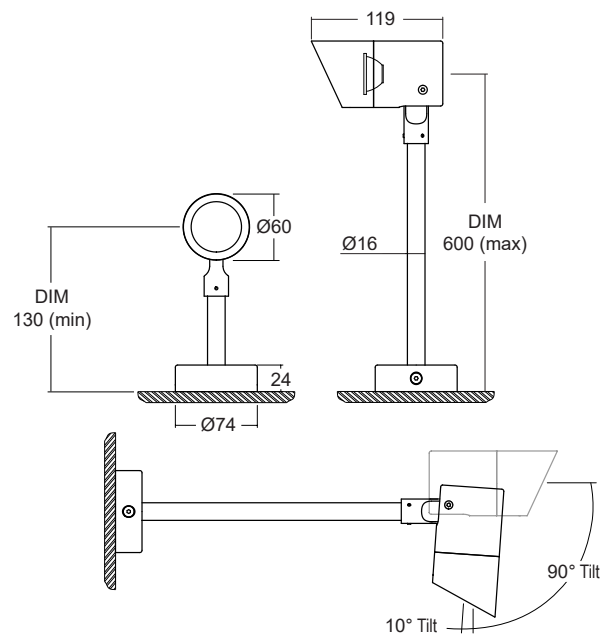
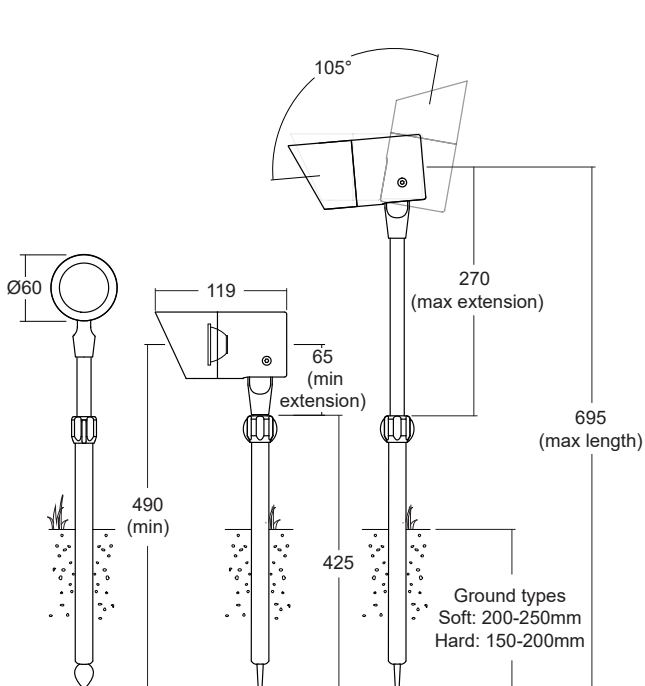
/GSA

Adjustable ground spike with a lockable fitting tilt adjustment, for in-ground applications. Height adjustment of 490mm to 695mm to the centre of the fitting. Weight: 0.18kg



/SMBEX

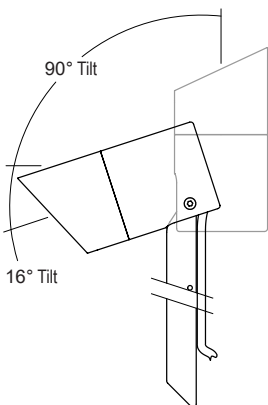
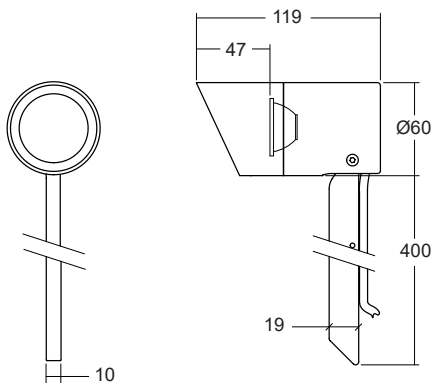
Surface mount base with a lockable fitting tilt adjustment and customisable arm length between 130mm and 600mm to the centre of the fitting. Suitable for vertical and horizontal mounting. Weight: 0.14kg



Specify DIM  
(All dimensions are shown in millimetres.)

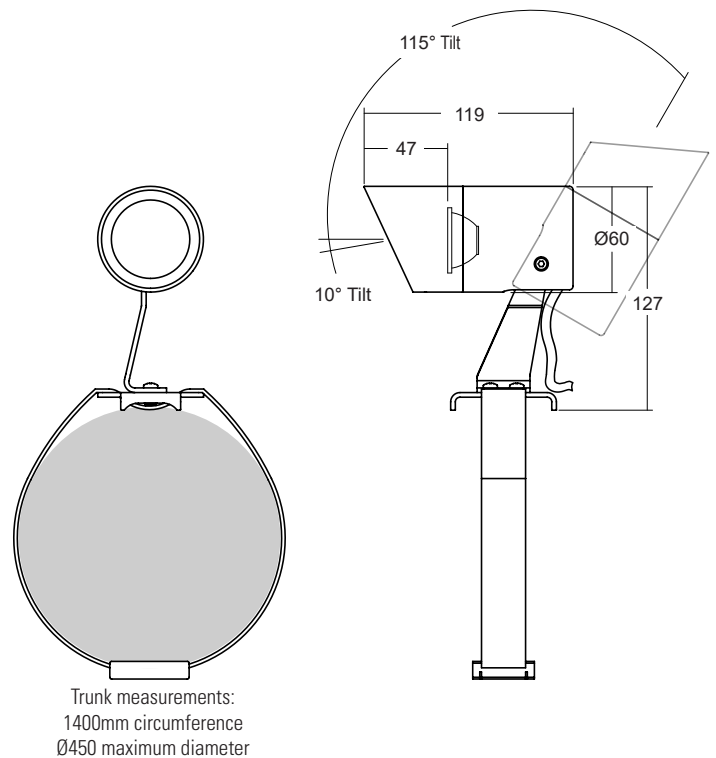
/GS

Fixed height 400mm ground spike for in-ground applications. Lockable tilt adjustment.  
Weight: 0.21kg



/TS

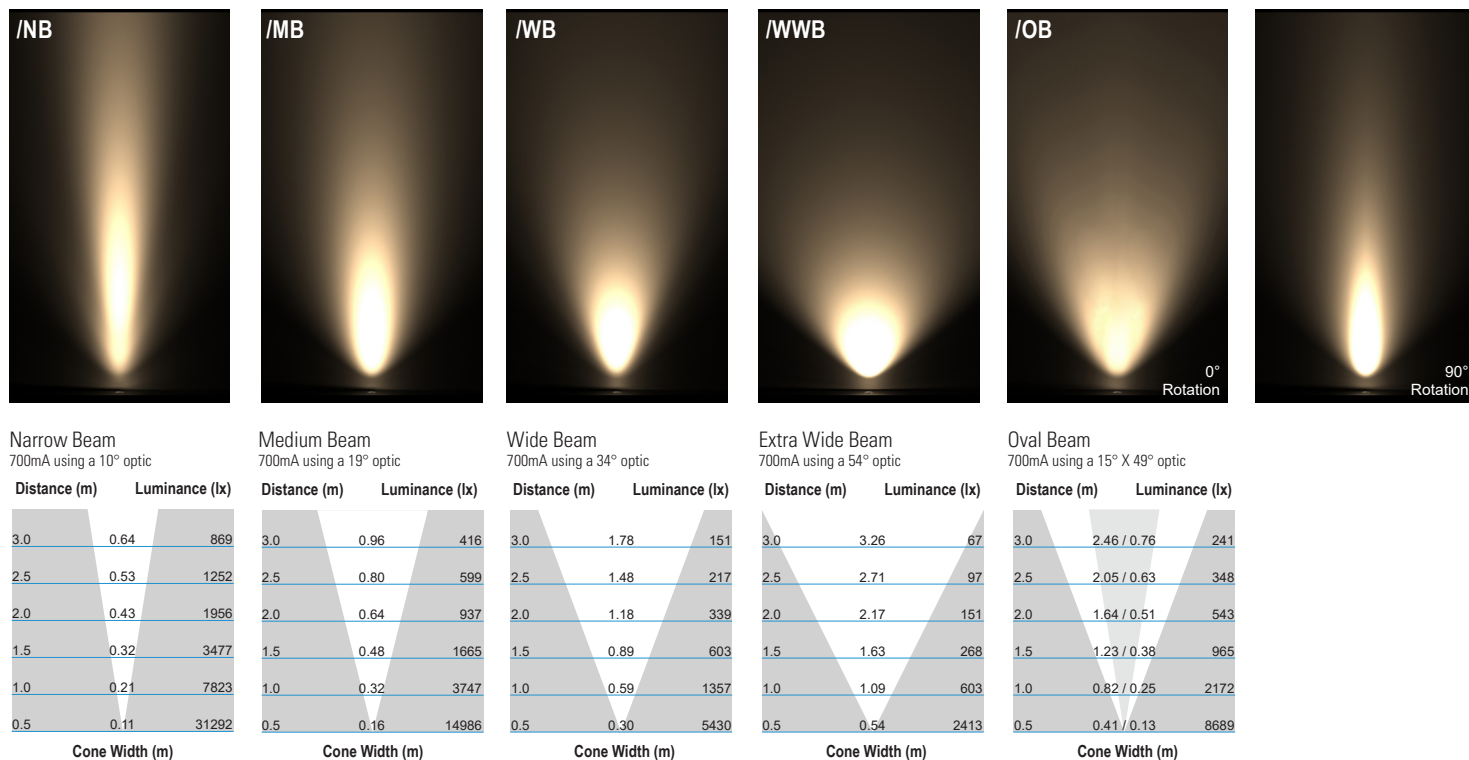
Tree strap/surface mount base with lockable fitting tilt adjustment, has a customisable arm length. It can be specified between 130mm and 600mm to the centre of the fitting. Suitable for vertical and horizontal mounting. Weight: 0.21kg



## CONE DIAGRAMS

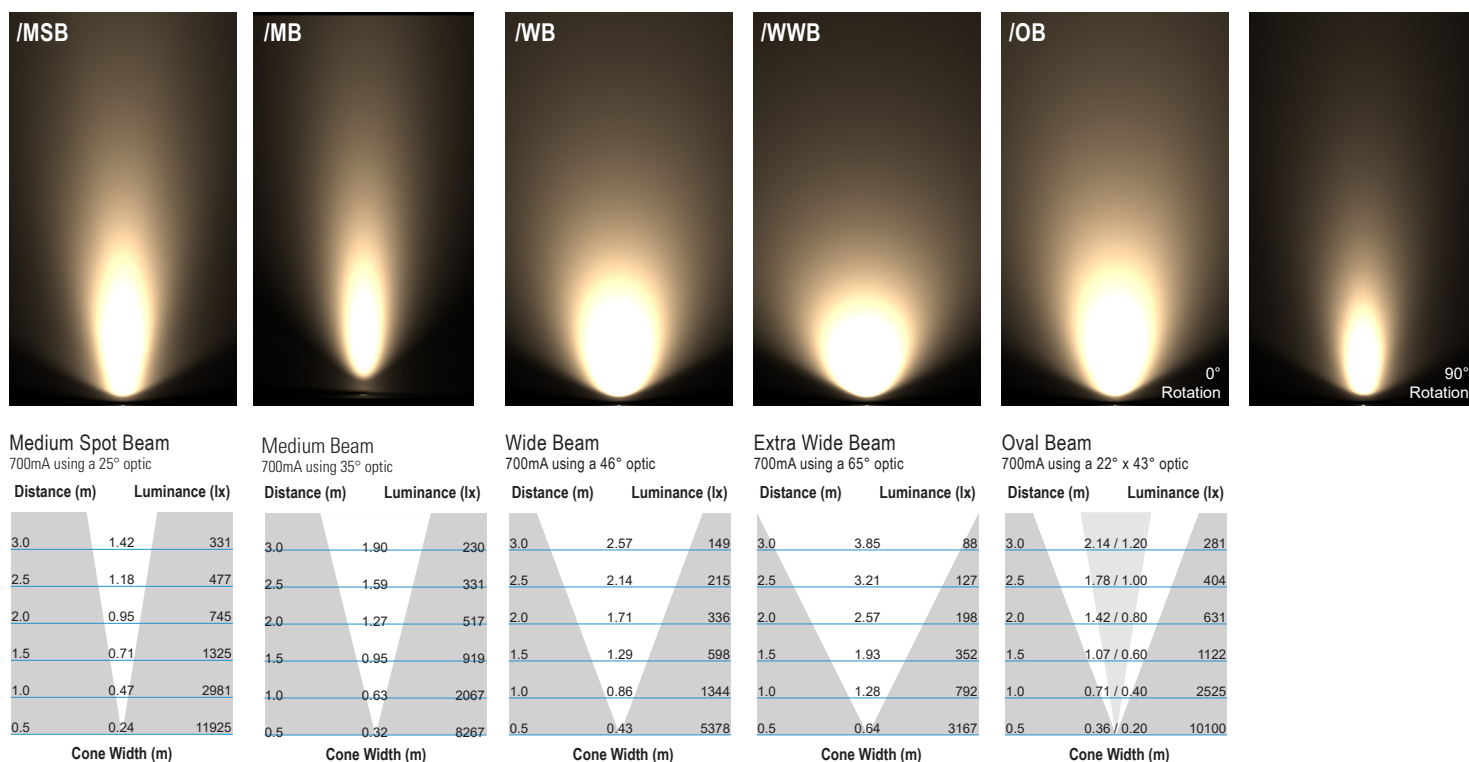
### E2 LED Engine

Cone diagrams below are based on a 3000K E2 LED engine run at maximum output 700mA, 10W. Images below represent beam outputs when wall washing a 3m wall, spaced 125mm away from the lit surface. Photometric files (LDT) are included in the design pack which can be downloaded from the LD10238 product page on the website.



### N1 LED Engine

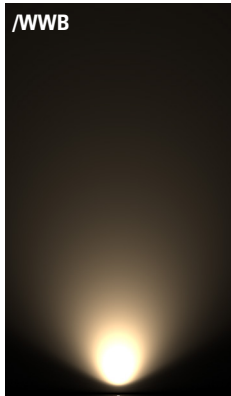
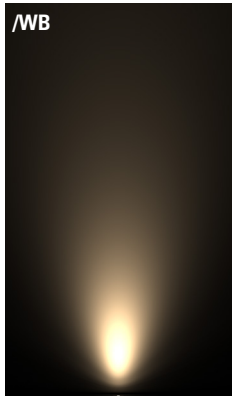
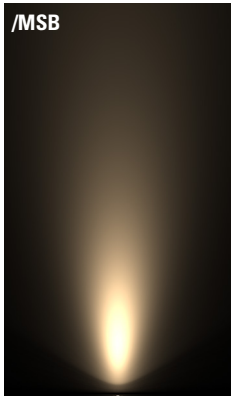
Cone diagrams below are based on a 3000K N1 LED engine run at maximum output 700mA, 14W. Images below represent beam outputs when wall washing a 3m wall, spaced 125mm away from the lit surface. Photometric files (LDT) are included in the design pack which can be downloaded from the LD10238 product page on the website.





F1 LED Engine

Cone diagrams below are based on a 2200K F1 LED engine run at maximum output 700mA, 7W. Images below represent beam outputs when wall washing a 3m wall, spaced 125mm away from the lit surface. Photometric files (LDT) are included in the design pack which can be downloaded from the LD10238 product page on the website.



Medium Spot Beam  
700mA using a 25° optic

Distance (m)	Luminance (lx)	Cone Width (m)
3.0	1.17	202
2.5	0.97	290
2.0	0.78	454
1.5	0.58	806
1.0	0.39	1814
0.5	0.19	7256

Wide Beam  
700mA using a 37° optic

Distance (m)	Luminance (lx)	Cone Width (m)
3.0	2.02	82
2.5	1.68	119
2.0	1.35	185
1.5	1.01	330
1.0	0.67	742
0.5	0.34	2968

Extra Wide Beam  
700mA using a 65° optic

Distance (m)	Luminance (lx)	Cone Width (m)
3.0	3.85	39
2.5	3.21	56
2.0	2.57	88
1.5	1.93	156
1.0	1.28	351
0.5	0.64	1402

Oval Beam  
700mA using a 18° X 45° optic

Distance (m)	Luminance (lx)	Cone Width (m)
3.0	2.47 / 0.91	149
2.5	2.06 / 0.76	214
2.0	1.65 / 0.60	335
1.5	1.24 / 0.45	595
1.0	0.82 / 0.30	1339
0.5	0.41 / 0.15	5357



Design: Lighting Design International  
Project: Four Seasons Astir Palace Hotel, Athens  
Product: LD10238  
Photography: Gavril (www.gavrilux.com)

ORDER CODES & OPTIONS

Example: LD10238-E2-700 / LW30 / NB / Black / SMB / HL

Light Engine & Drive Current	LED Colour	Beam angle	Finish	Fixing accessories
LD10238 -	/	/	/	/

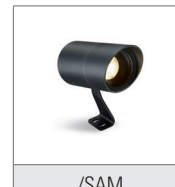
WHITE LED ENGINES

 E2

5W LED at 350mA	LD10238-E2-350
7W LED at 500mA	LD10238-E2-500
10W LED at 700mA	LD10238-E2-700

Extra Warm White (2700K)	/LW27
Warm White (3000K)	/LW30
White (4000K) - on request	/LW40
Cool White (5000K)	/LW50

10° Narrow spot	/NB
19° Medium	/MB
34° Wide	/WB
54° Extra wide	/WWB
15° x 49° Oval	/OB



 N1

7W LED at 350mA	LD10238-N1-350
10W LED at 500mA	LD10238-N1-500
14W LED at 700mA	LD10238-N1-700

Super Warm White (2200K)	/LW22
Extra Warm White (2700K)	/LW27
Warm White (3000K)	/LW30
White (4000K) - on request	/LW40
Cool White (5000K)	/LW50

25° Medium spot	/MSB
35° Medium	/MB
46° Wide	/WB
65° Extra wide	/WWB
22° x 43° Oval	/OB

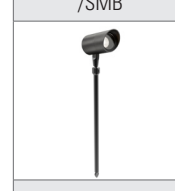


 F1

3.5W LED at 350mA	LD10238-F1-350
5W LED at 500mA	LD10238-F1-500
7W LED at 700mA	LD10238-F1-700

Super Warm White (2200K)	/LW22
--------------------------	-------

25° Medium spot	/MSB
37° Wide	/WB
65° Extra wide	/WWB
18° x 45° Oval	/OB



COLOUR & DYNAMIC LED ENGINES

 CL

7W LED at 500mA	LD10238-CL-500
-----------------	----------------

Red	/LR
Green	/LG
Blue	/LB
Amber	/LA

24° Medium	/MB
38° Wide	/WB
54° Extra wide	/WWB
20° x 46° Oval	/OB



 RGBW

3.5W LED at 350mA	LD10238-RGBW-350
5W LED at 500mA	LD10238-RGBW-500

38° Colour mix lens
---------------------

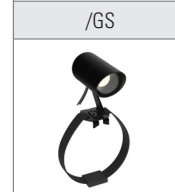


 TW

3.5W LED at 350mA	LD10238-TW-350
-------------------	----------------

Tunable White 2700K & 4000K (standard option)	/LW27 + LW40
Tunable White 2700K & 5000K	/LW27 + LW50
Custom	/LW** + L**

24° Medium	/MB
38° Wide	/WB
54° Extra wide	/WWB
20° x 46° Oval	/OB



Drivers
Use with 350mA, 500mA & 700mA constant current LED drivers
We have a range of dimmable LED drivers DMX and DALI compatible. Please see the downloads section on our website.