

LD38-C1

Exterior Linear LED Luminaire

Install sheet - Page 1

SPECIFICATION

LED Surface Mounted luminaires are class III for Safety Extra Low Voltage **DC** supply. The product should only be used with a supplied or LightGraphix approved **350mA**, **500mA** or **700mA** constant current driver.

Suitable for mounting on normally flammable surfaces.

Lamp: **C1 LED Engine.**

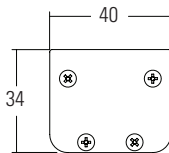
This fitting is **IP67** rated.

Lumen Maintenance: L90B5 at 90,000hrs.

LD38 - C1	
Product & LED Output Code	Power Output
LD38-C1 - 350	350mA 1.2W (Per LED)
LD38-C1 - 500	500mA 1.7W (Per LED)
LD38-C1 - 700	700mA 2.4W (Per LED)

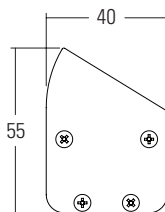
/LD38S

Standard LD38



/LD38C

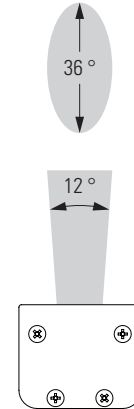
LD38 with Anti-Glare Cowl



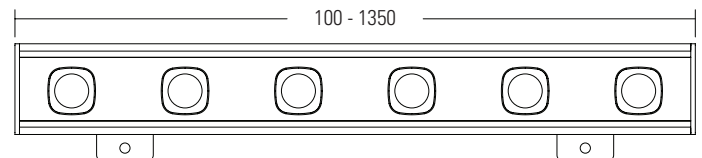
INSTALLATION

/OB

Oval Beam

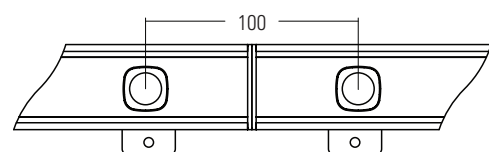


MINIMUM AND MAXIMUM PRODUCT LENGTHS



PRODUCT SPACING

To maintain LED between lengths, butt fittings together end-to-end as show below.



LD38-C1

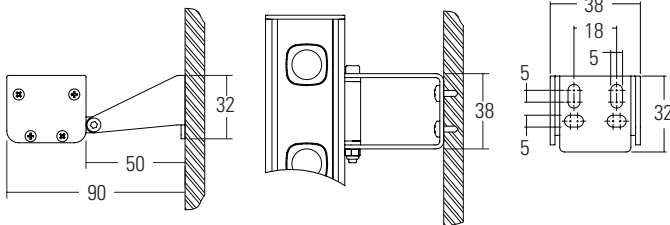
Exterior Linear LED Luminaire

Install sheet - Page 2

SPECIFICATION

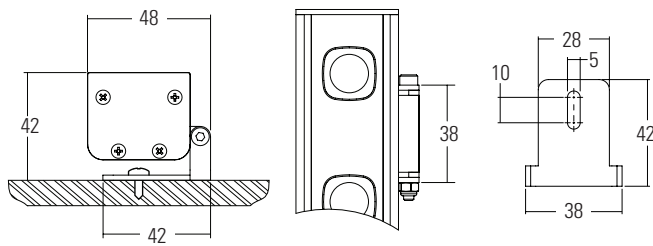
/AWB50

Adjustable Wall Bracket



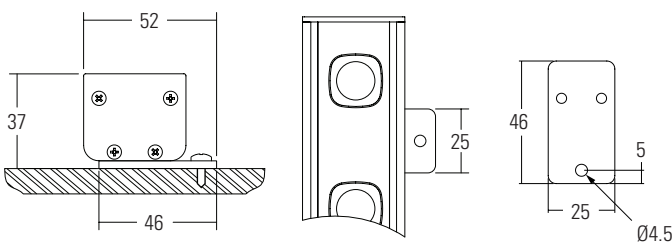
/ABM38

Surface Mounted Bracket



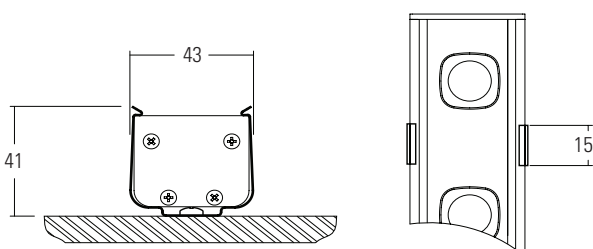
/BSM38

Bracket Side Mounting



/SC38

Spring Clips



INSTALLATION

/AWB-50

1. Size up installation. Plan out bracket positions on mounting surface and fitting.
2. Position bracket on the mounting surface and mark up. Remove bracket, then drill fixing holes in marked positions.
3. Set torque driver to 2Nm MAX and install LD38 to AWB
4. Fix LD38 on to mounting surface. No6 or No8 pan head screws recommended.
5. Adjust LD38 into the desired position. Install fittings end-to-end to avoid dark spots.
6. Connect luminaire to specified driver, ensuring it is disconnected on the mains side.

/ABM

1. Size up installation. Plan out bracket positions on mounting surface and fitting.
2. Position bracket on the mounting surface and mark up. Remove bracket, then drill fixing holes in marked positions.
3. Attached brackets to fitting using supplied screws. Then fix the fitting on to mounting surface. No6 or No8 pan head screws recommended.
4. Adjust LD38 into the desired position. Install fittings end-to-end to avoid dark spots. Route cable to bracket and hide cable in extrusion groove.
5. Connect luminaire to specified driver, ensuring it is disconnected on the mains side.

/BSM

1. Size up installation. Plan out bracket positions on mounting surface and fitting.
2. Position bracket on the mounting surface and mark up. Remove bracket, then drill fixing holes in marked positions.
3. Fix LD38 to side mounting bracket
4. Fix LD38 on to mounting surface. No6 or No8 pan head screws recommended.
5. Adjust LD38 into the desired position. Install fittings end-to-end to avoid dark spots. Route cable to bracket and hide cable in extrusion groove.
6. Connect luminaire to specified driver, ensuring it is disconnected on the mains side.

/SC

1. Position and mark up /SC spring clips on mounting surface.
2. Fix to surface using No6 or No8 pan head screws.
3. Install LD38 into /SC spring clips.
4. Wire the luminaire to a specified driver.

NOTE: Connections in wet environments. Make IP68 connection to stop water travelling up the cables into the fittings! Refer to IP connection sheet for further details.

LD38-C1

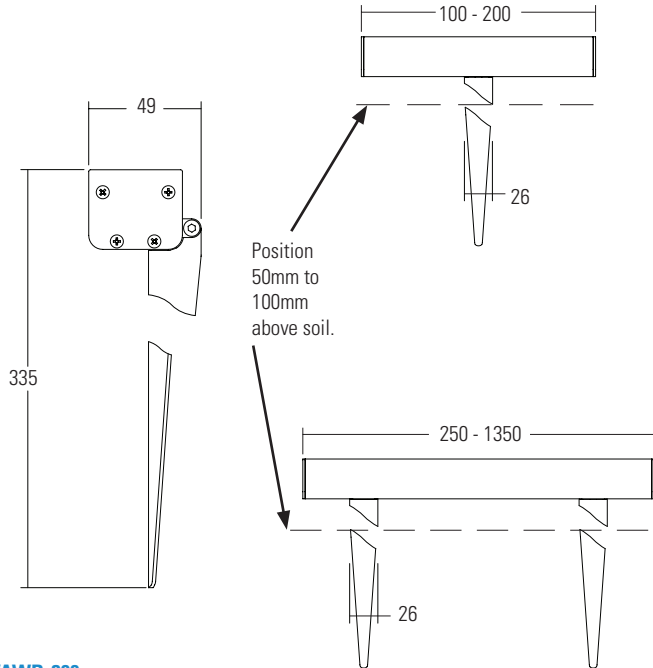
Exterior Linear LED Luminaire

Install sheet - Page 3

SPECIFICATION

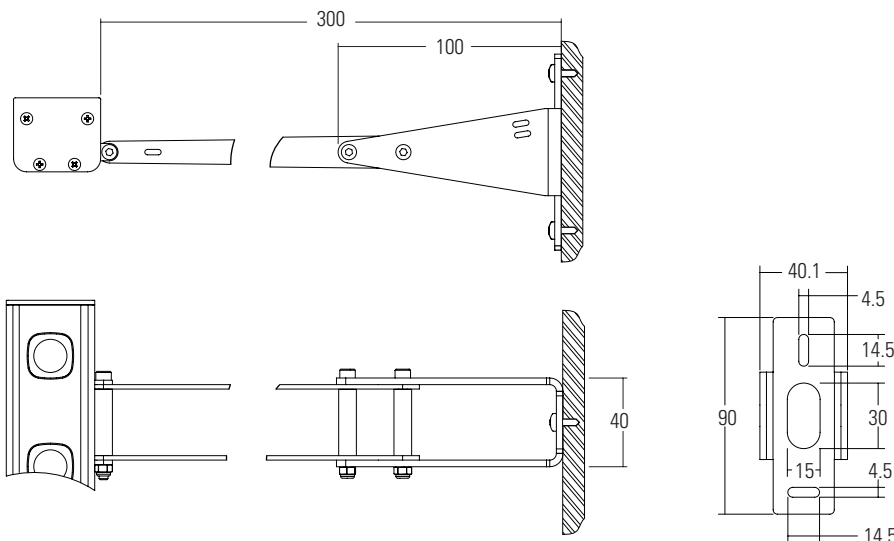
/GS38

Ground Spike



/AWB-300

Adjustable Wall Bracket



SEE CONSTANT CURRENT WIRING SHEET FOR IN SERIES WIRING DIAGRAM

WIRING

Do not power up until fitting is wired correctly! Constant current LEDs must be wired in series, polarity is critical. Please refer to specified driver sheet for details on the minimum and maximum number of LEDs per circuit.

IMPORTANT

Make sure that all cables and connections are securely connected before switching on the power. Failing to do this can lead to failure of the LEDs and/or the driver. If the LEDs do not work upon power up, turn off the power source immediately and check the polarity of the wiring. Any attempt made to open up and/or modify the luminaire will invalidate the manufacturers warranty. This is inclusive of but not limited to removal of the LightGraphix product label or removal of any parts from the main body of the product including bezels, electrical components and factory fitted fixing methods (unless otherwise stated in these instructions).

INSTALLATION

/GS

1. Adjust LD38 into the desired position. Install fittings end-to-end to avoid dark spots.
2. Connect luminaire to specified driver, ensuring it is disconnected on the mains side.

/AWB-300

1. Size up installation. Plan out bracket positions on mounting surface and fitting.
2. Position bracket on the mounting surface and mark up. Remove bracket, then drill fixing holes in marked positions.
3. Set torque driver to 2Nm MAX and install LD38 to AWB
4. Fix LD38 on to mounting surface. No6 or No8 pan head screws recommended.
5. Adjust LD38 into the desired position. Install fittings end-to-end to avoid dark spots.
6. Connect luminaire to specified driver, ensuring it is disconnected on the mains side.

CORE COLOUR & POLARITY		
Colour of Cable	Red	Black
Materials	+	-

MAINTENANCE

Clean with soft damp cloth.
LED: Please contact LightGraphix.