

## LD150T

### HIGH POWER INTERIOR TILTED LED UPLIGHT



The LD150T is a powerful interior uplight with a compact size and depth, designed with the LED and optics at a 6° tilt. This feature focuses the light onto the lit surface reducing spill onto any ceiling or canopy. By angling the light it reduces glare and allows installation further away from the wall or column. This product can be specified with a wide range of options allowing it to suit many project requirements with multiple bezel finishes to choose from as well as accessories, including its own unique glare shield. Available LED engines include E2, Tunable White, RGBW and F1 which offer a range of colour temperatures between 2200K-5000K and various beam angles. When used with an oval beam the LD150T offers a superb wall washing effect. The bezel aesthetic is minimal with chamfered edges, black trim glass and no visible fixings. This is a very tough, high quality fitting, machined from high grade materials, ensuring excellent thermal and light output performance.

## KEY FEATURES

- > E2 engine option with CREE LED, 2-step binning and built-in reverse polarity protection
- > F1 COB, Tunable White, RGBW, 2nd channel LEDs also available
- > Chamfered edged bezel available in 316 Stainless Steel, Polished & Passivated Stainless Steel Brass, Flamed Bronze and paint finishes
- > 6° integral tilt film focuses the beam onto the lit surface from a distance with glare angled away from view
- > Up to 611 lumens at 700mA when specified with concrete housing in 3000K
- > LED and lens are recessed within a black anodised body for reduced glare
- > Range of beam angles featuring a narrow 10° spot ideal for lighting columns and arches, or wall washing
- > Half-moon glare shield option to minimise the view of the intense light source without affecting the wash of light
- > Single optic produces a very consistent beam with no multiple shadows
- > Toughened glass with black ceramic trim
- > Fitting rated IK08
- > Hidden fixing options include first fix sleeve or concrete housing
- > Switched, 0-10V, Casambi, DMX, DALI or Mains dimmable drivers available




## DIMENSIONS

*Dimensions in mm*

For full dimensions and for accessory dimensions please go to page 4.



## SPECIFICATION

Engine	 E2			 F1		
Beam angles	10°, 19°, 34°, 54°, 49° x 15°			25°, 46°, 65°, 43° x 25°		
LED manufacturer	CREE			CREE		
Colour temperature*	2700K / 3000K / 4000K / 5000K			2200K		
Current	350mA	500mA	700mA**	350mA	500mA	700mA**
LED power (Max)	4.2W (5W***)	6W (7W***)	8.4W (10W***)	3.5W (3.2W***)	4.5W (5W***)	6.3W (7W***)
Delivered lumens (L <sub>100</sub> )***	336	427	611	163	215	308
Lumens per circuit watt	67	61	61	47	43	44
CRI (Min)	85			90		
Forward voltage (V <sub>100</sub> )	14V			9V		
Colour consistency	2 SCDM			3 SCDM		
Peak intensity	4391 cd			1565 cd		
LED lumens	873			623		
LOR	0.69			0.49		
TM30	RF85	RG98		RF90	RG103	
UGR****	10.1			9.1		
LED lifetime	L90B5 at 90,000hrs					
Applications						

These values are based around a LD150T-E2-700-LW30-NB & LD150T-F1-700-LW22-MSB

\*See lumen variance table to the right

\*\*can only be specified with /482N concrete housing

\*\*\*indicates the nominal power for the LED run at that particular current and includes losses associated with using an 85% efficient driver

\*\*\*\*lumen output indicated is without the glare shield. Allow 30% less with the /GS glare shield.

\*\*\*\*\* UGR values based on room parameters of 4H 8H, C70 W50 F20

Lumen variance by CCT	
2700K	+/- 0%
4000K	+7%
5000K	+16%

## MECHANICAL

Ambient temperature	-20° to 45° (500mA) or -20° to 35° (700mA)
Glass	6mm thick toughened glass with black ceramic screen print
Materials	Stainless steel bezel, anodised aluminium body
Weight of product	0.52kg
IP rating	IP54
IK rating	IK08
Wiring	In-series constant current wiring (pre-wired with 2 core cable at a length of 250mm)

## AVAILABLE FINISHES

Please refer to our finishes guide for full details



### 316 STAINLESS STEEL

- > Marine grade 316 Steel
- > Standard machined finish
- > Extremely durable with very high corrosion resistance
- > Passivation recommended for marine environments to prevent corrosion and build up of brown stains caused by oxidation
- > Interior & exterior use

### POLISHED & PASSIVATED STAINLESS STEEL

- > Marine Grade 316 Steel
- > Mirror like finish
- > Extremely durable with very high corrosion resistance
- > Passivated to extensively prolong resistance to corrosion and brown stains caused by oxidation in marine environments
- > Interior & exterior use

### BRASS

- > Solid CZ121 Brass
- > Standard machined finish
- > Corrosion resistance rated fair to excellent
- > Please note a natural green/brown patination layer will form after long term exposure to the elements, the extent of this discolouration will be dependant on its location.
- > Interior & exterior use

### FLAMED BRONZE

- > Solid Bronze
- > Hand finished Flamed Bronze unique to LightGraphix
- > Extremely durable with very high corrosion resistance.
- > Please note a natural dark patination layer will form after long term exposure to the elements, the extent of this discolouration will be dependant on its location.
- > Interior & exterior use

### PAINT FINISH

- > Matt Black, Matt White, and other RAL colours available
- > Not recommended for footlights in high traffic areas
- > Interior & exterior use

## GLARE SHIELDS

## 6° TILT



### /NGS

No glare shield. Deep recessed optic and matt black anodised optic holder aids in glare reduction.

### /GS

Standard glare shield provides an excellent balance between glare control and light output. This accessory works well in most applications.



The unique 6° tilt designed into the LD150T has many benefits. The tilt allows the light to be focussed onto the lit surface with reduced spill onto any ceiling or canopy, and light pollution into the sky. It also reduces the glare from the fittings as the light is tilted away from view and allows it to be installed further away from the wall or column in details where there may be an obstacle at the base of the surface to be lit. When specified with an oval beam it is very effective at wall washing.

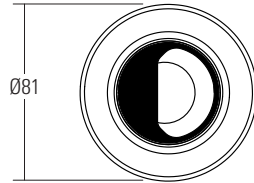
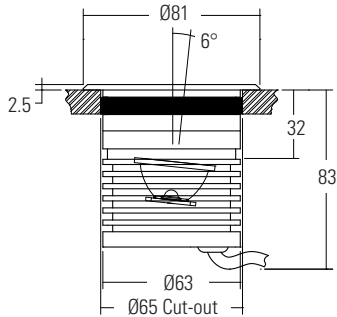
Please refer to our photometric files for lumen data.



**DIMENSIONS AND FIXING ACCESSORIES**

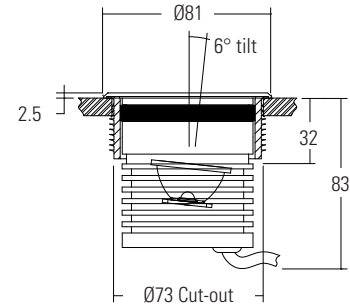
*Dimensions in mm*

Soft silicon seal holds the fitting into the cut-out.



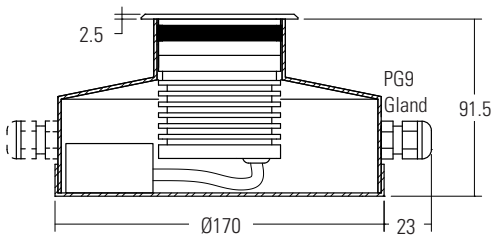
**/482S First fix sleeve**

First fix sleeve is polypropylene. Fins on the side lock it into a range of mounting surfaces.



**/482N or /482N-2 Concrete housing**

Must be used when specifying the 700mA fitting. The aluminium housing is used as a heat sink which keeps the LED fitting cool through the thermal transfer of the heat within the housing to the surrounding concrete. The housings are big enough for IP rated connections to be made inside the housing and a second gland is available for cabling onto the next luminaire.



**/484N**  
Concrete housing with 1x PG9 IP67 gland



**/484N-2**  
Concrete housing with 2x PG9 IP67 gland

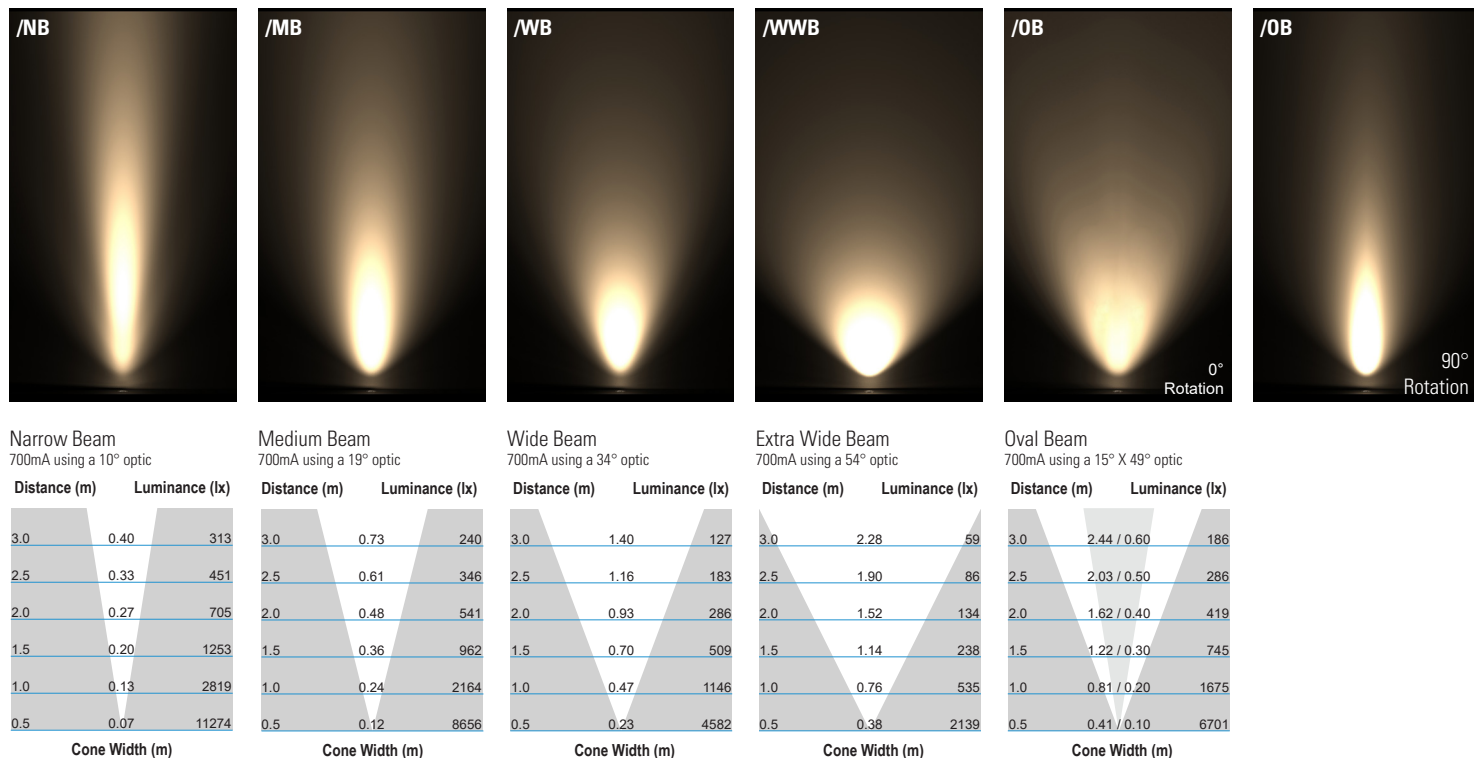
**/ID** Optional integral non dimming driver (single colour only at 350mA or 500mA).



## CONE DIAGRAMS

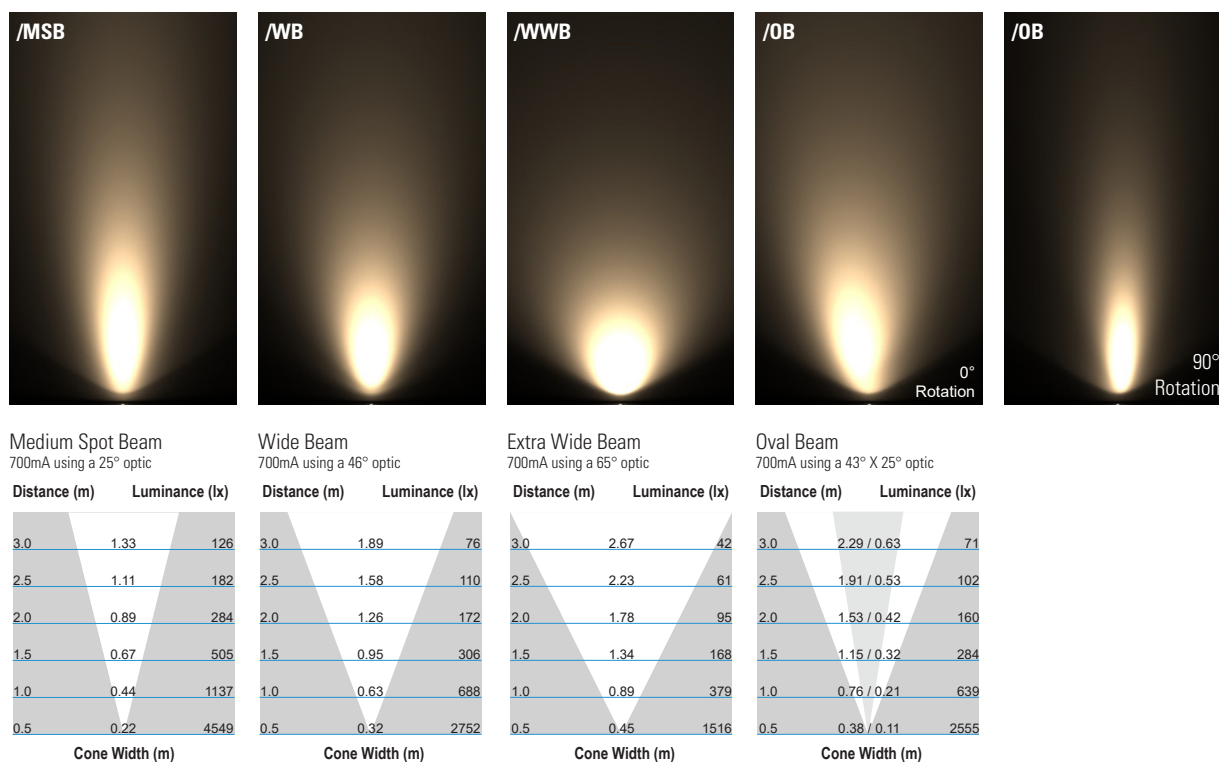
### E2 LED Engine

Cone diagrams below are based on a 3000K E2 LED engine run at maximum output 700mA, 10W. Images below represent beam outputs when wall washing a 3m wall, spaced 125mm away from the lit surface. Photometric files (LDT) are included in the design pack which can be downloaded from the LD150T product page on the website.



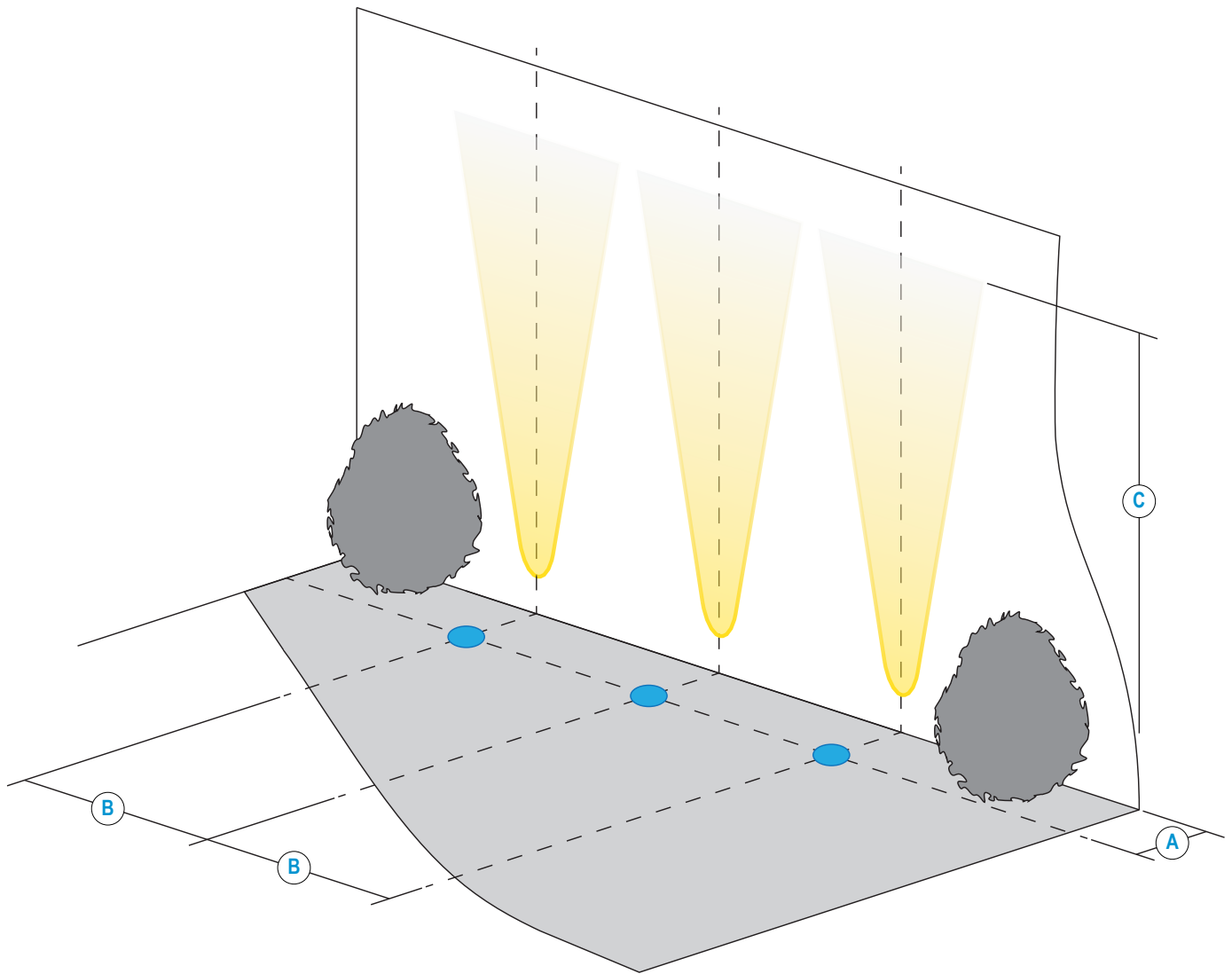
### F1 LED Engine

Cone diagrams below are based on a 3000K F1 LED engine run at maximum output 700mA, 10W. Images below represent beam outputs when wall washing a 3m wall, spaced 125mm away from the lit surface. Photometric files (LDT) are included in the design pack which can be downloaded from the LD150T product page on the website.



## INSTALLATION GUIDE

Below is a luminaire positioning guide. Every project and lighting scenario will be different; the table below is to be used as a starting point for any wall wash design. Please use our photometric files to further test the desired effect for your application. Files are available on our LD150T product page on our website.



LD150T-E2	/NB	/MB	/WB	/WWB	/OB
<b>A</b> Distance from the centre of the fitting to the lit surface	250mm				
<b>B</b> Spacing for an even wash	250mm*	350mm	400mm	500mm	500mm
<b>C</b> 500mA Lit distance	7m	4.5m	3.5m	2m	4m
<b>C</b> 700mA Lit distance	9m	7m	5m	3m	6m

LD150T-F1	/MSB	/WB	/WWB	/OB
<b>A</b> Distance from the centre of the fitting to the lit surface	250mm			
<b>B</b> Spacing for an even wash	350mm	400mm	500mm	500mm
<b>C</b> 500mA Lit distance	3.5m	2.5m	2m	2.5m
<b>C</b> 700mA Lit distance	5m	3.5m	3m	3.5m

\*Wall washing using narrow beam optics should only be used if the designer requires long distance lighting up the lit surface.

ORDER CODES & OPTIONS

Example: LD150T-E2-700 / LW30 / NB / NGS / Stainless Steel / 482N

Light Engine & Drive Current	LED Colour	Beam angle	Glare shield	Bezel finish	Fixing accessories
LD150T -	/	/	/	/	/

**E2**

5W LED at 350mA	LD150T-E2-350
7W LED at 500mA	LD150T-E2-500
10W LED at 700mA	LD150T-E2-700

Extra Warm White (2700K)	/LW27
Warm White (3000K)	/LW30
White (4000K)-on request	/LW40
Cool White (5000K)	/LW50

10° Narrow spot	/NB
19° Medium	/MB
34° Wide	/WB
54° Extra wide	/WWB
15° x 49° Oval	/OB



/NGS



/GS



316 Stainless Steel



Polished & Passivated Stainless Steel (for marine environments)



Flamed Bronze (antique finish)



Brass



Paint Finish - Black (RAL 9005)



Paint Finish - White (RAL 9016)



Paint Finish - RAL



/482S



/482N



/482N-2



/ID

**F1**

3.5W LED at 350mA	LD150T-F1-350
5W LED at 500mA	LD150T-F1-500
7W LED at 700mA	LD150T-F1-700

Super Warm White (2200K)	/LW22
--------------------------	-------

25° Medium spot	/MSB
46° Wide	/WB
65° Extra wide	/WWB
43° x 25° Oval	/OB

Drivers

Use with 350mA, 500mA & 700mA constant current LED drivers  
We have a range of dimmable LED drivers DMX and DALI compatible. Please see the downloads section on our website.